



# Q2G

DIRECT VENT FIREPLACE - NOVA

# OWNER'S MANUAL

WARRANTY REGISTRATION  
[enviro.com/warranty](http://enviro.com/warranty)



**WARNING:** If the information in this manual is not followed exactly, a fire or explosion may result causing property damage, personal injury or loss of life. Installation and service must be performed by a qualified installer, service agency or the gas supplier.

# Safety Precautions

---



## **WARNING:**

### **FIRE OR EXPLOSION HAZARD**

**Failure to follow safety warnings exactly could result in serious injury, death, or property damage.**

- **Do not store or use gasoline or other flammable vapors and liquids in the vicinity of this or any other appliance.**
  
- **WHAT TO DO IF YOU SMELL GAS**
  - **Do not try to light any appliance.**
  - **Do not touch any electrical switch; do not use any phone in your building.**
  - **Leave the building immediately.**
  - **Immediately call your gas supplier from a neighbor's phone. Follow the gas supplier's instructions.**
  - **If you cannot reach your gas supplier, call the fire department.**
  
- **Installation and service must be performed by a qualified installer, service agency or the gas supplier.**

### **INSTALLER:**

Leave this manual with the appliance.

### **CONSUMER:**

Retain this manual for future reference.

This appliance may be installed in an after-market permanently located, manufactured (mobile) home, where not prohibited by local codes.

This appliance is only for use with the type of gas indicated on the rating plate. This appliance is not convertible for use with other gases, unless a certified kit is used.

Massachusetts installations (Warning): This product must be installed by a licensed plumber or gas fitter when installed within the Commonwealth of Massachusetts. Other Massachusetts code requirements: Flexible connector must not be longer than 36in., a shut off valve must be installed; only direct vent sealed combustion products are approved for bedrooms/bathrooms. A carbon monoxide detector is required in all rooms containing gas fired direct vent appliances. The fireplace damper must be removed or welded in the open position prior to installation of a fireplace insert.

# Safety Precautions

FOR SAFE INSTALLATION AND OPERATION OF YOUR "ENVIRO" HEATER, PLEASE CAREFULLY READ THE FOLLOWING INFORMATION:

- All ENVIRO gas-fired appliances must be installed in accordance with their instructions. Carefully read all the instructions in this manual first. Consult the building authority having jurisdiction to determine the need for a permit prior to commencing the installation.
- **NOTE:** Failure to follow these instructions could cause a malfunction of the fireplace, which could result in death, serious bodily injury, and/or property damage.
- Failure to follow these instructions may also void your fire insurance and/or warranty.

## GENERAL

• Installation and repair should be done by a qualified service person. The appliance should be inspected before the first use and, at least, annually by a qualified service person. More frequent cleaning may be required due to excessive lint from carpeting, bedding material, etc. It is imperative the control compartments, burners and circulating air passageways of the appliance be kept clean.

• Due to high temperatures, the appliance should be located out of high traffic areas and away from furniture and draperies.

**Children and adults should be alerted to the hazards of high surface temperatures and should stay away to avoid burn or clothing ignition.**

• Young children should be carefully supervised when in the same room as the appliance. Toddlers, young children and others may be susceptible to accidental contact burns. A physical barrier is required if there is a risk for individuals in the house. To restrict access to a fireplace or stove install an adjustable safety gate to keep toddlers, young children and other at risk individuals out of the room and away from hot surfaces. Any safety screen, guard, or barrier removed for servicing an appliance must be replaced prior to operating the appliance.

• Clothing or other flammable materials should not be placed on or near the appliance.

• A barrier designed to reduce the risk of burns from the hot viewing glass is provided with this appliance and shall be installed for the protection of children and other at-risk individuals. If the barrier becomes damaged, the barrier shall be replaced with the manufacturer's barrier for this appliance.

## FOR YOUR SAFETY

• Installation and service must be performed by a qualified installer, service agency or gas supplier.

• This installation must conform to local codes or, in the absence of local codes, with the National Fuel Gas Code, ANSI Z223.1/NFPA 54, or the Natural Gas and Propane Installation Code, CSA B149.1.

• To prevent injury, do not allow anyone who is unfamiliar with the stove to operate it.

**• To prevent injury, if the pilot or pilot and burners have gone out on their own, open the glass door and wait 5 minutes to air out before attempting to re-light the stove.**

• Always keep the area around these appliances clear of combustible material, gasoline and other flammable liquids and vapours.

• These appliances should not be used as a drying rack for clothing or for hanging Christmas stockings/decorations.

• Due to the paint curing on the stove, a faint odor and slight smoking will likely be noticed when the stove is first used. Open a window until the smoking stops.

Always connect this gas stove to a vent system and vent to the outside of the building envelope. Never vent to another room or inside the building. Make sure the specified vent pipe is used, properly sized and of adequate height to provide sufficient draft. Inspect the venting system annually for blockage and signs of deterioration.

**WARNING:** Failure to position the parts in accordance with the diagrams in this booklet, or failure to use only parts specifically approved with this appliance, may result in property damage or personal injury.

**WARNING:** Do not operate with the glass front removed, cracked or broken. Replacement of the glass should be done by a licensed or qualified service person.

• Never use solid fuels such as wood, paper, cardboard, coal, or any flammable liquids, etc., in this appliance.

• Do not use this appliance if any part has been under water. Immediately call a qualified service technician to inspect the appliance and to replace any part of the control system or any gas control which has been under water.

• Do not abuse the glass by striking it or slamming the door shut.

• If the Q2G unit is pulled out of its installation, and the vent-air intake system is disconnected for any reason, ensure that the vent-air intake pipes are reconnected and re-sealed in accordance to the instructions noted in INITIAL INSTALLATION - DIRECT VENT



# DANGER



**HOT GLASS WILL CAUSE BURNS**

**DO NOT TOUCH GLASS UNTIL COOLED.**

**NEVER ALLOW CHILDREN TO TOUCH GLASS.**

A barrier designed to reduce the risk of burns from the hot viewing glass is provided with this appliance and shall be installed for the protection of children and other at-risk individuals.

# Table of Contents

---

Safety Precautions.....	1
Table of Contents.....	3
Codes And Approvals.....	4
Specifications.....	5
Dimensions.....	5
Rating Label Location.....	5
Operating Instructions.....	6
Lighting and Turning Off Instructions.....	6
Pilot Light.....	7
Air Shutter (Venturi).....	7
Remote Controls.....	7
Burner Lighting.....	8
Blower Speed (Optional) .....	8
Normal Sounds During Operation.....	8
Maintenance And Service.....	9
Routine Maintenance.....	9
Cleaning The Glass.....	9
Cleaning The Firebox.....	9
Replacing the Glass.....	9
Cleaning Decorative Surfaces.....	10
Glass Door Removal.....	10
Burner Removal.....	11
Access Door.....	11
Conversion Kit Installation.....	12
Initial Installation.....	15
Introduction.....	15
Placement and Framing.....	15
Framing Plate Installation.....	16
Mantle and Non-Combustible Clearances.....	17
Corner Installation.....	19
Direct Vent.....	19
Vent Termination Restrictions.....	20
Venting Clearances.....	21
Approved Venting Parts.....	21
Allowable Co-Axial Vent Configurations.....	24
Horizontal Termination.....	25
Vertical Termination .....	26
Flex Vent.....	27
Gas Line Connection and Testing.....	28
Electrical Requirements .....	29
Secondary Installation.....	31
Glass Media Installation.....	31
Driftwood Log Set Installation.....	32
Fan Installation (Optional).....	33
Trouble Shooting.....	34
Parts List.....	35
Parts Diagram.....	36
Notes.....	37
Warranty.....	39
Installation Data Sheet.....	40

# Codes And Approvals

**DIRECT VENT ONLY:** This type is identified by the suffix DV. This appliance draws all of its air for combustion from outside the dwelling, through a specially designed vent pipe system.

This appliance has been tested and approved for installations from 0 feet to 4500 feet (1372 m) above sea level.

**In the USA:** The appliance may be installed at higher altitudes. Please refer to your American Gas Association guidelines which state: the sea level rated input of Gas Designed Appliances installed at elevations above 2000 (610 m) feet is to be reduced 4% for each 1000 feet (305 m) above sea level. Refer also to local authorities or codes which have jurisdiction in your area regarding the de-rate guidelines.

**In Canada:** When the appliance is installed at elevations above 4500 feet (1372 m), the certified high altitude rating shall be reduced at the rate of 4% for each additional 1000 feet (305 m).

- This appliance has been tested by INTERTEK and found to comply with the established VENTED GAS FIREPLACE HEATER standards in CANADA and the USA as follows:

**VENTED GAS FIREPLACE HEATER (Q2G; NATURAL GAS, PROPANE GAS)**

TESTED TO: ANSI Z21.88-2014/CSA 2.33-2014 VENTED GAS FIREPLACE HEATERS

CAN/CGA 2.17-M91 (R2009) GAS FIRED APPLIANCES FOR HIGH ALTITUDES

**This ENVIRO Q2G Fireplace:**

- Has been certified for use with either natural gas or propane (see rating label).
- Is not for use with solid fuels.
- Is approved for bedroom or bed sitting room. (**IN CANADA:** must be installed with a listed wall thermostat. **IN USA:** see current ANSI Z223.1 for installation instructions.)
- Must be installed in accordance with local codes. If none exist, use current installation code CAN/CGA B149 in Canada or ANSI Z223.1/NFPA 54 in the USA.
- Must be properly connected to an approved venting system and not connected to a chimney flue serving a separate solid-fuel burning appliance.

**IMPORTANT NOTICE (Regarding first fire up):** When the unit is turned on for the first time, it should be turned onto high without the fan on (if equipped) for the first 4 hours. This will cure the paint, logs, gasket material and other products used in the manufacturing process. It is advisable to open a window or door, as the unit will start to smoke and can irritate some people. After the unit has gone through the first burn, turn the unit off including the pilot, let the unit get cold then remove the glass door and clean it with a good gas fireplace glass cleaner, available at your local ENVIRO dealer.

NATIONAL  
FIREPLACE  
INSTITUTE®



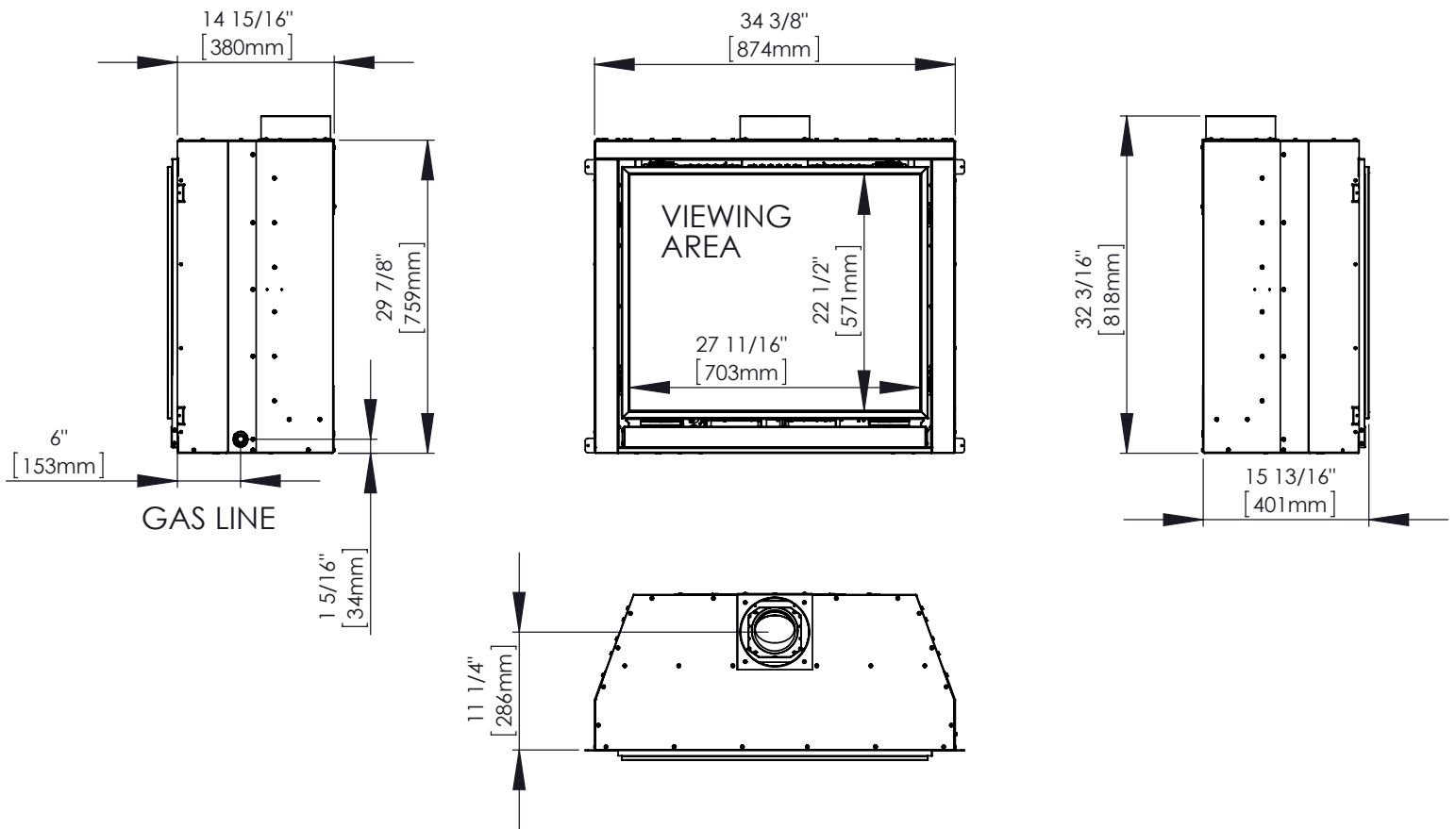
CERTIFIED

[www.nficertified.org](http://www.nficertified.org)

We recommend that our gas hearth products be installed and serviced by professionals who are certified in the U.S. by the National Fireplace Institute® (NFI) as NFI Gas Specialists.

# Specifications

## DIMENSIONS:



## RATING LABEL & LIGHTING INSTRUCTIONS LOCATION:

To access the rating label and lighting instructions flip down the control cover. The plates are attached to a length of chain and are never to be tampered with or removed. All important information for your fireplace is on this label as well of the model specific serial number which you will need for warranty information.

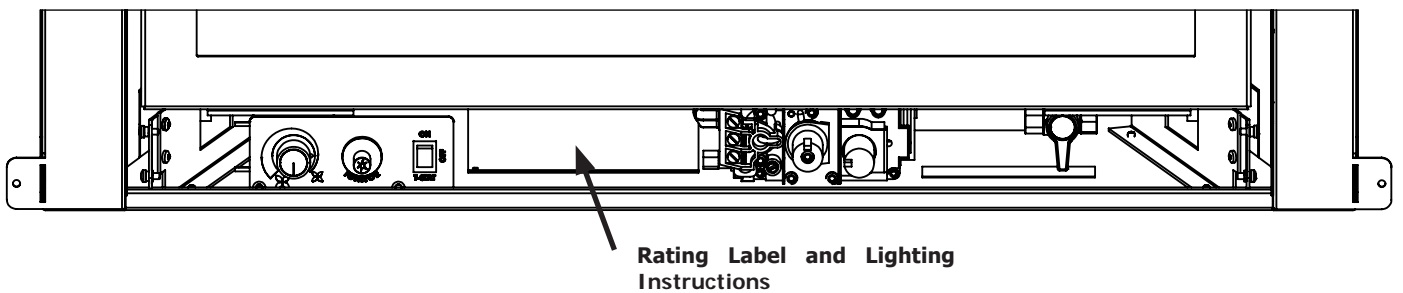


Figure 2. Rating Label Location



# Operating Instructions

## For Your Safety, Read Safety Precautions And Lighting Instructions Before Operating

**WARNING: IF YOU DO NOT FOLLOW THESE INSTRUCTIONS EXACTLY A FIRE OR EXPLOSION MAY RESULT, CAUSING PROPERTY DAMAGE, PERSONAL INJURY OF LOSS OF LIFE.**

### LIGHTING AND TURNING OFF INSTRUCTIONS:

#### FOR YOUR SAFETY READ BEFORE LIGHTING



**WARNING:** If you do not follow these instructions exactly, a fire or explosion may result causing property damage, personal injury or loss of life

- A. This appliance has a pilot which must be lighted by hand. When lighting the pilot, follow these instructions exactly.
- B. BEFORE LIGHTING smell all around the appliance area for gas. Be sure to smell next to the floor because some gas is heavier than air and will settle on the floor.
- C. Use only your hand to push in or turn the gas control knob. Never use tools. If the knob will not push in or turn by hand, don't try to repair it. Call a qualified service technician. Force or attempted repair may result in a fire or explosion.
- D. Do not use this appliance if any part has been under water. Immediately call a qualified service technician to inspect the appliance and to replace any part of the control system and any gas control which has been under water.



#### WHAT TO DO IF YOU SMELL GAS:

Do not try to light any appliance. Do not touch any electrical switch; do not use any phone in your building. Immediately call your gas supplier from a neighbor's phone. Follow the gas supplier's instructions. If you cannot reach your gas supplier, call the fire department.


#### LIGHTING INSTRUCTIONS

1. STOP! Read the safety information above on this label.
2. Set the thermostat to the lowest setting.
3. Turn off all electric power to this appliance.
4. Open the front control panel.
5. Turn off the gas control knob clockwise  to the "OFF" position.
6. Open door. Wait five (5) minutes to clear out any gas. Close door. Then smell for gas, including near the floor. If you smell gas, STOP! Follow "B" in the safety information above on this label. If you don't smell gas, go to the next step.
7. Find pilot-located near the center rear of the firebox. Turn the gas control knob counter-clockwise  to "PILOT". Push the gas control in fully and hold, keep knob depressed for about 30 seconds after the pilot is lit. Release knob. If pilot goes out, repeat steps 4 through 5.



- WARNING:** This gas valve has a lockout device, which will not allow the pilot burner to be relit until the thermocouple has cooled.
- If the knob does not pop up when released, stop and immediately call your service technician or gas supplier.
  - If the pilot will not stay lit after several tries, turn the gas control knob clockwise  to "OFF" and call your service technician or gas supplier.
8. Turn the gas control knob counter clockwise  to the "ON" position. Flip the burner switch to "ON" then turn the "HI/LOW" knob to the desired setting.
  9. Close the front control panel.
  10. Turn on all electric power to the appliance.
  11. Set thermostat to desired setting.

#### TO TURN OFF GAS TO APPLIANCE

1. Set the thermostat to the lowest setting.
2. Turn off all electric power to the appliance if service is to be performed.
3. Open the front control panel and flip burner switch to "OFF"
4. Turn the gas control knob clockwise  to the "OFF" position.
5. Close the front control panel.

C-12454

Figure 3. Lighting Instruction Label

# Operating Instructions

## PILOT LIGHT:

1. Turn off the gas to the fireplace. **If not recently done, remove the glass and let the unit air out for at least five (5) minutes to clear out any gas.** Turn on gas to the heater. Leak test all joints with soapy water. **NEVER USE OPEN FLAME FOR LEAK TESTING.**
2. Start the pilot by pressing the gas control knob and turning it to PILOT. While holding the gas control knob in, press the piezo ignitor several times until the pilot light starts. Hold the gas control knob in for 30 seconds. Check that the pilot has fully engulfed the thermocouple assembly (see Figure 4).
3. Start the main burner by turning the gas control knob to ON and then turn the rocker switch to ON. Check that all burner ports have flame.
4. Leak test all gas joints again.

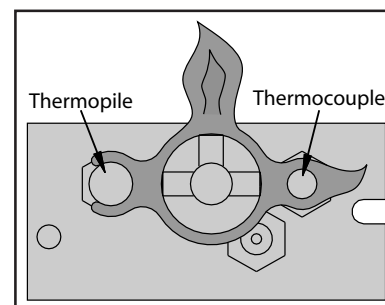


Figure 4. Pilot Flame

## AIR SHUTTER (VENTURI):

The air shutter adjustment lever is underneath the firebox (see Figure 5).

The air shutter allows the amount of air mixing with the incoming gas to be adjusted in order to accommodate different climates and venting arrangements. Start the pilot and then the burner. Make sure the pilot flame is burning normally and none of the burner ports are plugged. Let the fireplace burn for roughly fifteen minutes and then examine the flames for impingement or soot build up.

The ideal flame will be blue at the base and light orange above. The flames should be of medium height. If the flames look like this, no venturi adjustment is needed. If the flames are fairly short and mostly blue, the fireplace is getting too much air. Therefore, the air shutter should be closed (pushed it) slightly until the correct flames are achieved. Flames that are very orange, with tall, dark, stringy tips, are not getting enough air. Open the venturi until the flames clean up. If the venturi is opened, or closed all the way, and the correct flames cannot be attained, turn off the gas and contact the dealer.

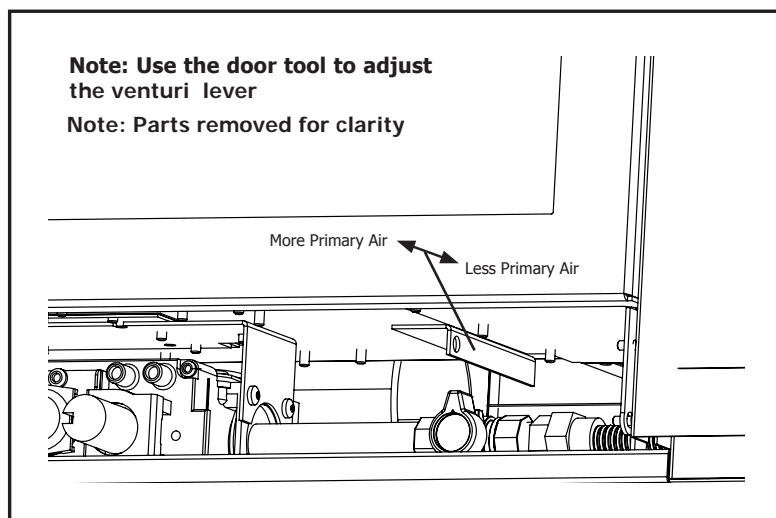


Figure 5. Air shutter adjustment lever

**Warning:** Incorrect venturi adjustment may lead to improper combustion, which is a safety hazard. Contact the dealer if there is any concern about the venturi adjustment.

## REMOTE CONTROLS (OPTIONAL):

This fireplace can use an optional remote control or an optional cordless wall thermostat. If either of these are to be used to control the fireplace for the majority of the time, leave the ON/OFF switch (on the control panel) in the remote/thermostat position. Consult the instructions included with the remote/wall thermostat for operation guidelines.



# Operating Instructions

## For Your Safety, Read Safety Precautions And Lighting Instructions Before Operating

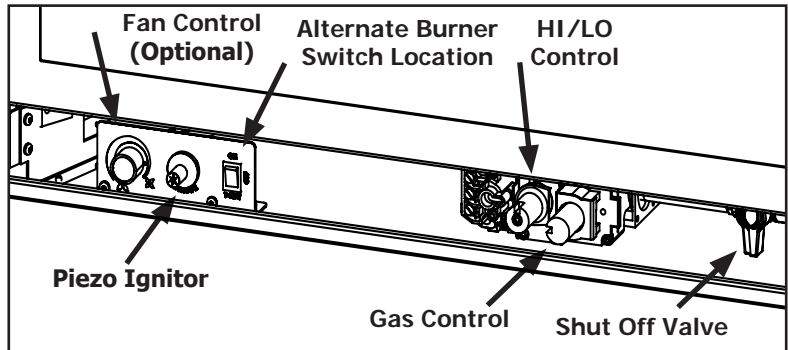
### BURNER LIGHTING:

- A) Make sure the pilot is lit.
- B) Turn gas control knob COUNTER CLOCKWISE to ON.
- C) Flip the burner switch to ON.
- D) Turn HI/LO knob to the desired flame height.

**NOTE:** Check that all burner holes are lit.

### TO TURN GAS FIREPLACE OFF:

Flip switch to OFF to turn off burners only and turn the gas control knob to off to extinguish the pilot flame. Keep the pilot flame **OFF** when not in use. If the fireplace is to be serviced, turn the gas shut off valve to OFF (DO NOT FORCE IT) and disconnect all electrical power sources. See Figure 6 for control panel layout.



**Figure 6. Control Panel**

**NOTE:** When the unit is turned on for the first time, it should be turned onto high, with the fan OFF (if equipped), for the first two to four hours. This will cure the paint, logs, gasket material, and other products used in the manufacturing process. It is advised that a door or window be opened as the unit will start to smoke, which can irritate some people. After the unit has gone through the first burn, turn the unit OFF, including the pilot, and let the unit get completely cold. Then remove the glass and clean it with a good gas fireplace glass cleaner, available at your local Enviro dealer. See "MAINTENANCE AND SERVICE; GLASS DOOR REMOVAL" and "MAINTENANCE AND SERVICE; CLEANING THE GLASS."

### BLOWER SPEED (OPTIONAL):

The blower will come on only when the fireplace is up to temperature (approximately 15 minutes). The speed of the fan can be changed by turning the fan control knob. The blower will continue to operate automatically after the unit has been shut off (approximately 25 minutes). To turn the blower off, turn the knob COUNTER CLOCKWISE until it "clicks" off (Figure 7).

It is advisable not to operate the blower below 1/3 speed as it puts a strain on the windings of the blower and running the blower at lower speeds could also cause premature fan failure.



**Figure 7. Fan Control**

### NORMAL SOUNDS DURING OPERATION:

**Table 1: Normal Sounds**

Component	Normal Sound Description
Q2 & Surround Panels	Creaking when heating up or cooling down caused by thermal expansion
Burner	Light pop or poof when turned off
Temperature Sensor	Clinking when it senses to turn the blower on or off
Pilot Flame	Quiet whisper while the pilot flame in on
Blower / Fan	Air movement that increase and decreases with the speed of the blower
Gas Control Valve	Dull click when turning on or off, this is the valve opening and closing

# Maintenance And Service

---

## **ROUTINE MAINTENANCE:**

---

At least once a year, run through the following procedures to ensure the system is clean and working properly. Check the burner to see if all the ports are clear and clean. Check the pilot to make sure it is not blocked by anything. The pilot flame should be blue with little or no yellow on the tips.

**Warning:** Clearances must be sufficient to allow access for maintenance and service

**Warning:** Failure to position the parts in accordance with this manual, or failure to use only parts specifically approved with this appliance may result in property damage or personal injury.

The venting system must be periodically examined; it is recommended the examination is done by a qualified agency.

## **CLEANING THE GLASS:**

---

**When the fireplace has cooled**, remove the face of the fireplace (if applicable) along with the glass door. See MAINTENANCE AND SERVICE - GLASS DOOR REMOVAL. Check the gasket material on the back of the glass, making sure that it is attached and intact.

During a cold start up, condensation will sometimes form on the glass. This is a normal condition with all gas fireplaces. However, this condensation can allow dust and lint to cling to the glass surface. Initial paint curing of the appliance can leave a slight film behind the glass, a temporary problem. The glass will need cleaning about two weeks after installation. **Use a mild glass cleaner and a soft cloth. Abrasive cleaners will damage the glass and painted surfaces.** Depending on the amount of use, the glass should require cleaning no more than two or three times a season. **Do not clean the glass when it is hot.**

## **CLEANING THE FIREBOX:**

---

Remove all of the glass media from the tray, a vacuum cleaner with an empty canister or new bag works best. At this time, inspect the burner tray for cracking or severe warping. If a problem is suspected, contact the dealer. Check the glass media for large amounts of soot; a small amount on the bottom side of the glass is normal. Re-install the glass as in the Secondary Installation - Glass Media Installation section. If new or glass is required, contact your nearest ENVIRO dealer.

## **REPLACING THE GLASS:**

---

The glass in the fireplace is a high temperature ceramic. If the glass is damaged in any way, a factory replacement is required (see PARTS LIST). Wear gloves when handling damaged glass door assembly to prevent personal injury. Do not operate with the glass front removed, cracked or broken. Removal and replacement of the glass from the door **must** be done by a licensed or qualified service person. **The glass must be purchased from an ENVIRO dealer. No substitute materials are allowed.** Remove the door (see page 10). The replacement glass will come with a new gasket installed. Remove any silicone remnants from the door. Apply high temperature silicone to all four faces of the door and install the new piece of glass with gasket (be sure to maintain edge clearances). Apply even pressure to the glass to allow the silicone to adhere to the gasket material.

# Maintenance And Service

## CLEANING DECORATIVE SURFACES:

Painted and porcelain faces should be wiped with a damp cloth periodically. If a plated face has been purchased, it should be unpacked/unwrapped carefully to avoid getting anything on the surface of the finish, including cleaners, polish and finger prints. It is important to note that fingerprints and other marks can leave a permanent stain on plated finishes. **To avoid this, give the face a quick wipe with denatured alcohol on a soft cloth BEFORE lighting the fireplace.** Never clean the face when it is hot. Do not use other cleaners as they may leave a residue, which can become permanently etched into the surface.

## GLASS DOOR REMOVAL:

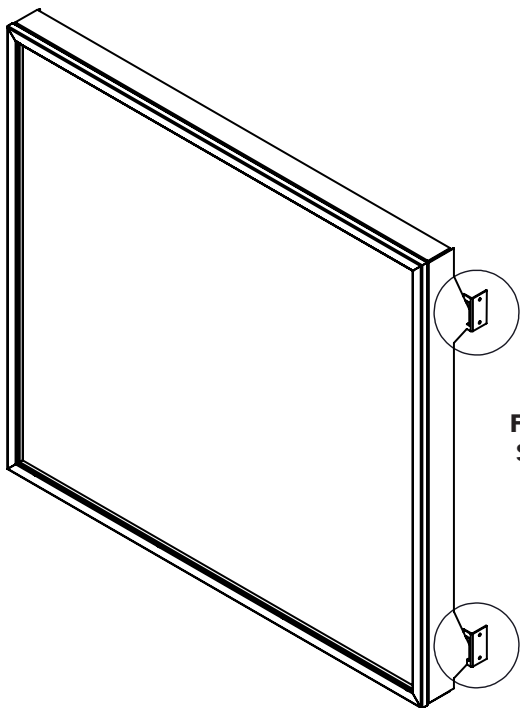


Figure 8. Safety Screen Mounts

The door needs to be removed for scheduled cleaning and to install the glass media and other options.

First remove the safety screen by grabbing the top and bottom of the frame and lifting it up and out. To remove the glass door use your two index fingers to pull the spring latches up over the two door tabs. Once released pivot the door to out and pull it out of the bottom door retainers. The door must be angled in order for it to pull out.

To replace the glass door, simply reverse the above procedure.

**WARNING:** Do not touch or attempt to remove the glass door if the fireplace is not completely cold.

**WARNING:** Never operate the fireplace with the glass door removed.

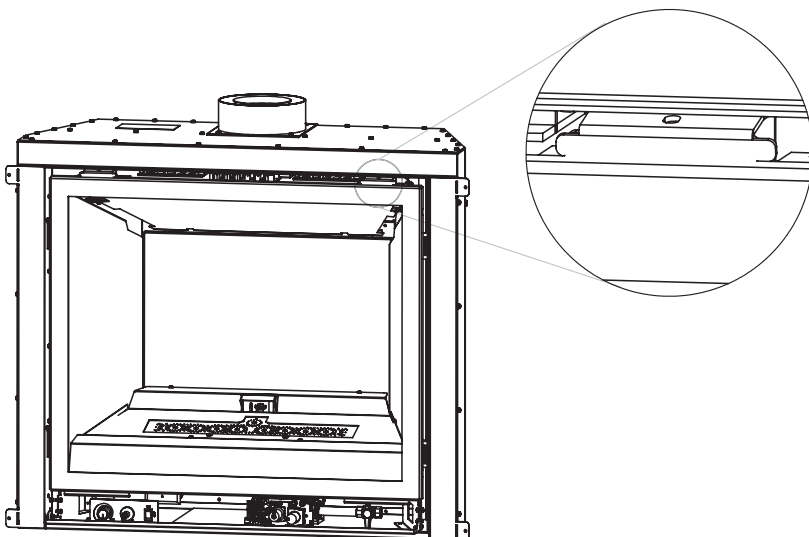


Figure 9A. Upper Door Latch

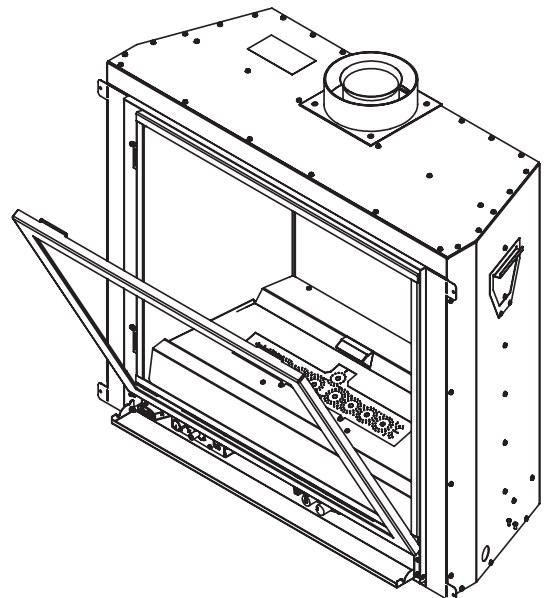


Figure 9B. Bottom Door Retainers

# Maintenance And Service

## BURNER REMOVAL:

The burner may need to be removed for a few reasons, including cleaning under the burner or fuel conversion. **Proceed only when the unit has completely cooled down.**

**Step 1:** Remove the glass door as shown in the MAINTENANCE AND SERVICE - GLASS DOOR REMOVAL.

**Step 3:** Unscrew the burner pan using a T20 screwdriver then rotate it clockwise and pull it out of the venturi box (Figure 11).

To re-install the burner follow steps 1-3 in reverse. When placing the burner back in the unit be sure not to move the air shutter.

**Step 2:** Remove the glass media and the enameled glass tray as shown in Figure 10.

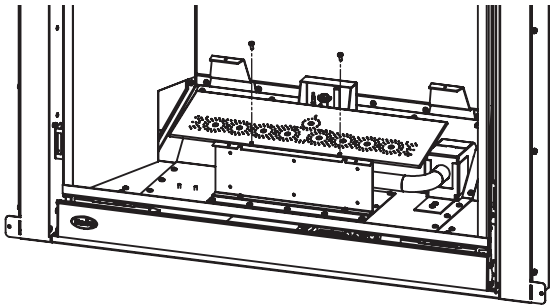


Figure 11. Removing Burner

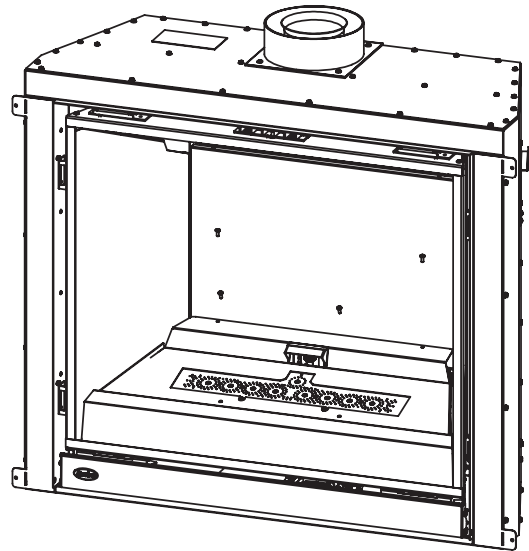


Figure 10. Removing Glass Tray

## ACCESS DOOR:

There is an access door in the bottom on the firebox that is used for servicing components after the unit is installed in a construction enclosure. **Proceed only when the unit has completely cooled down.**

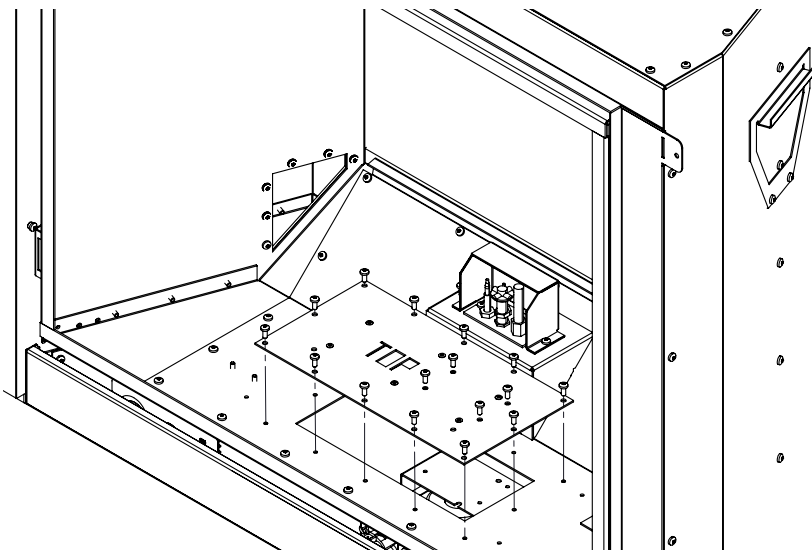


Figure 12. Removing Access Door

**Step 1:** Remove the burner as shown in the MAINTENANCE AND SERVICE - BURNER REMOVAL.

**Step 2:** Remove the Upper Air Diverter by removing (2) T-20 bolts. Remove the Lower Air Diverter.

**Step 3:** Remove the right and left burner stands by removing (4) T-20 bolts.

**Step 4:** Remove the (16) T-20 bolts retaining the access door as shown in Figure 12.

**Step 5:** After servicing assemble in the reverse order and be sure the gasket is still intact. Replace if necessary.

# Maintenance And Service

## FUEL CONVERSION:

TO BE INSTALLED BY A QUALIFIED SERVICE AGENCY ONLY

**Please read and understand these instructions before installing.**

**Warning: This conversion kit shall be installed by a qualified service agency in accordance with the manufacturer's instructions and all applicable codes and requirements of the authority having jurisdiction. If the information in these instructions is not followed exactly, a fire, explosion or production of carbon monoxide may result causing property damage, personal injury or loss of life. The qualified service agency is responsible for the proper installation of this kit. The installation is not proper or complete until the operation of the converted appliance is checked as specified in the manufacturer's instructions supplied with the kit.**

### Kit Parts List for all Q2 Models:

- 1 - Orifice (NG - #40 DMS or LP - #55 DMS)
- 1 - Pilot Injector (NG 0.62 mm; LP 0.35 mm) as marked
- 1 - Installation instruction sheet
- 1 - Conversion label

Carefully inspect all parts supplied with this conversion kit. If any parts have been damaged or are missing, contact your dealer, distributor or courier company to have them replaced before starting this installation.

### MODEL: Q2G; Q2L

THIS APPLIANCE WAS CONVERTED ON: \_\_\_\_\_ DD/MM/YYYY

TO (LPG) PROPANE WITH KIT NO. 50-3035

BY: \_\_\_\_\_

(NAME AND ADDRESS OF ORGANIZATION MAKING THIS CONVERSION),  
WHICH ACCEPTS RESPONSIBILITY THAT THIS CONVERSION HAS BEEN  
PROPERLY MADE.

Max Input: 20,000 Btu/hr (5.86KWh) at 10" WC. (2.49 KPa) Manifold press

Min. Input: 16,000 Btu/hr (4.69KWh) at 6.4" WC. (1.60 KPa) Manifold press.

Max supply press: 11.0"WC (2.74 KPa) Min press: 10.4"WC (2.59 KPa)



**Intertek**

# Maintenance And Service

## CONVERSION KIT INSTALLATION:

1. Turn control knob on the gas valve to the "OFF" position and shut the gas supply off at the shut-off valve upstream of the unit. **CAUTION:** The gas supply must be shut off prior to disconnecting the electrical power and before proceeding with the conversion. Allow the valve and unit to cool down to room temperature.
2. Remove the glass door as shown in the MAINTENANCE AND SERVICE - GLASS DOOR REMOVAL.
3. Carefully remove the glass media.
4. Remove the burner as shown in the MAINTENANCE AND SERVICE - BURNER REMOVAL.
5. Convert the burner orifice(s):
  - a) Remove the main burner orifice with a 1/2 inch deep socket.
  - b) Put a bead of pipe-thread sealant or approved Teflon tape on the orifice threads before installing into the brass elbow.
  - c) Install the new orifice(s) from the kit into the brass elbow.
6. Convert the pilot injector:
  - a) Pull the pilot hood straight up to access the pilot injector.
  - b) Using a 5/32" or 4 mm Allen key, remove the pilot injector.
  - c) Install the new pilot injector supplied with this conversion kit. Simply screw the new injector inside the pilot hood using the Allen key,
  - d) Reinstall the hood by placing the hood on the assembly, line up the key way, and snap into place.
7. Convert the SIT gas valve:
  - a) Remove the black protection cap from the HI/LO knob by hand shown in Figure 13.

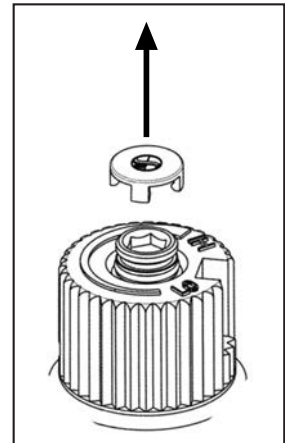


Figure 13: Removing valve cap.

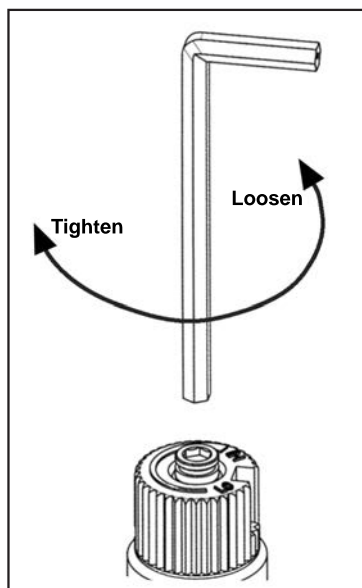


Figure 14: Removing valve screw.

- b) Insert a 5/32" or 4 mm Allen wrench into the hexagonal key-way of the screw (see Figure 14), rotate it counter-clockwise until it is free and extract it.
- c) Check that the screw is clean and if necessary remove dirt.
- d) Flip the screw (refer to Figure 15).
- e) Using the Allen wrench as shown in Figure 14, rotate the screw clockwise until a torque of 9 inch lbs. **WARNING!** Do not over tighten the screw. It is recommended that you grip the wrench by the short side.
- f) Verify that if the conversion is from NG to LPG, the screw must be re-assembled with the red o-ring visible (refer to Figure 16). If the conversion is from LPG to NG, the red o-ring of the screw must be not visible.

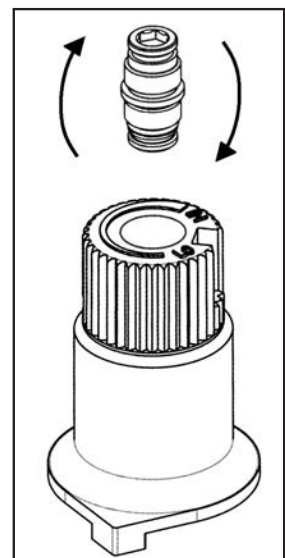
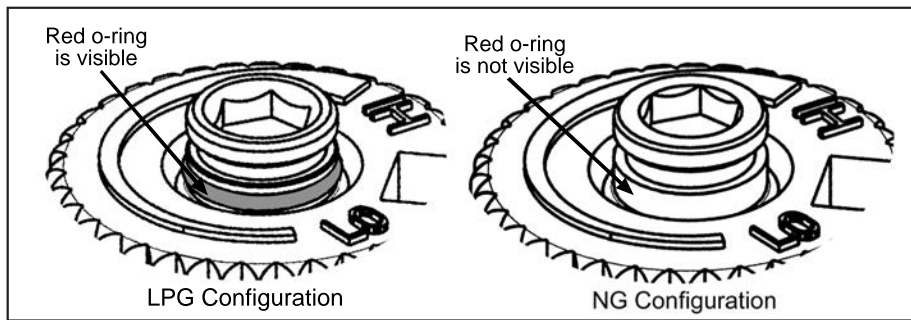


Figure 15: Flip valve screw.



# Maintenance And Service



**Figure 16: O-ring on valve screw.**

- g) Re-attach the black protection cap that was removed in step a (Figure 13).

8. Reinstall the enameled glass tray, glass media, and glass door.
9. Reconnect the main gas line if it was disconnected and open the shut-off valve at the gas line to the unit.
10. Use a small brush to apply a warm soapy water solution to all gas connections (use a half dish soap and half warm water). If a gas leak is present, bubbling will occur. Gas leaks can be repaired by using an approved pipe thread sealant or approved Teflon tape. **NEVER USE AN OPEN FLAME WHEN TESTING FOR LEAKS.**
11. Reconnect the electrical power to the unit.
12. Relight the pilot and confirm the flame properly covers both the thermocouple and thermopile (see Figure 4, page 7). Should the pilot require adjustment, turn the adjustment screw (figure 29, page 27) clockwise to decrease or counterclockwise to increase until the correct flame is achieved.
13. Relight the main burner in both the "HI" and "LO" positions to verify proper burner ignition, operation and proper flame appearance. Confirm the inlet and manifold pressures are within the acceptable ranges as directed in section INTIAL INTALLATION - GAS LINE CONNECTION AND TESTING. If the Q2G has been installed at an altitude higher than 2000ft (610m) it is required to de-rate the unit accordingly:  
**In the USA:** The appliance may be installed at higher altitudes. Please refer to your American Gas Association guidelines which state: the sea level rated input of Gas Designed Appliances installed at elevations above 2000 (610 m) feet is to be reduced 4% for each 1000 feet (305 m) above sea level. Refer also to local authorities or codes which have jurisdiction in your area regarding the de-rate guidelines.  
**In Canada:** When the appliance is installed at elevations above 4500 feet (1372 m), the certified high altitude rating shall be reduced at the rate of 4% for each additional 1000 feet (305 m).
14. **MAKE SURE** that the conversion label is installed on or close to the rating label to signify that the unit has been converted to a different fuel type.

# Initial Installation

QUALIFIED INSTALLERS ONLY

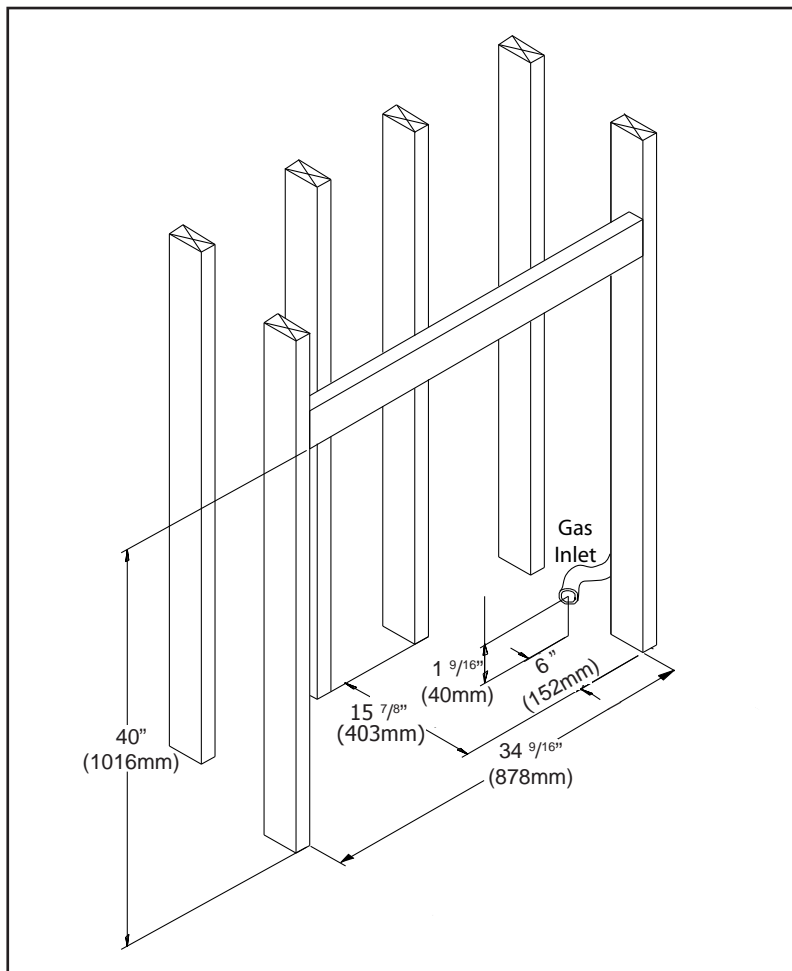
## INTRODUCTION:

This section of the owner's manual is for the use of qualified technicians only. Fireplace placement, hearths, facing, mantels, and venting terminations will be covered, as well as the gas and electric systems. There are several installation safety guidelines that must be adhered to. Please carefully read the safety precautions at the front of this manual.

NOTE: The Q2G models can ONLY be run as a top vent; the rear vent is only available for the Q2L models.

**CAUTION:** Clearances must be sufficient to allow access for maintenance and service.

## PLACEMENT AND FRAMING:



**Figure 17. Dimensions for Framing the Firebox**

The location for the fireplace can be along a wall, raised, at floor level, or in a corner. There are specific framing measurements for each situation. The basic opening should have the dimensions shown in Figure 17. The fireplace must have a strong and level surface to be placed on. The surface should be made of wood or a non-combustible material, not carpet.

The gas line, **3/8" JIC fitting**, should be brought to the right side of the fireplace. The location should be chosen so the fireplace will be at least **36 inches (914 mm)** from drapes, doors and other combustibles. The framed opening should also be a minimum of **4 5/8" (117 mm)** from the nearest perpendicular wall (sidewall to the edge of the opening).

**Table 2. Framing Dimensions.**

Minimum Framing Dimensions		
Depth	15 <sup>7</sup> / <sub>8</sub> "	403mm
Width	34 <sup>9</sup> / <sub>16</sub> "	878mm
Header Height	40"	1016mm
Chase Height (Rear Vent)	N/A	N/A
Chase Height (Top Vent)	*54"	1372mm
Gas Inlet (Front)	6"	152mm

\*Minimum dimension with only an elbow off the top. Any vertical rise added increase the chase height respectively.

# Initial Installation

QUALIFIED INSTALLERS ONLY

## FRAMING PLATE INSTALLATION:

A steel framing plate is included with your Q2G. The plate does not come installed on the unit but it attaches very easily with a 1/4" hex driver as shown below. This plate is used as a supportive surface to fill in the air gap above the unit in the installation construction. Non combustible material can be placed over this plate such a cement board. Non combustible material is only necessary over the fireplace opening and does not need to span the entire width of the framing plate. A wood mantle can we placed over top of the non-combustible as long as it stays within the mantle specifactions.

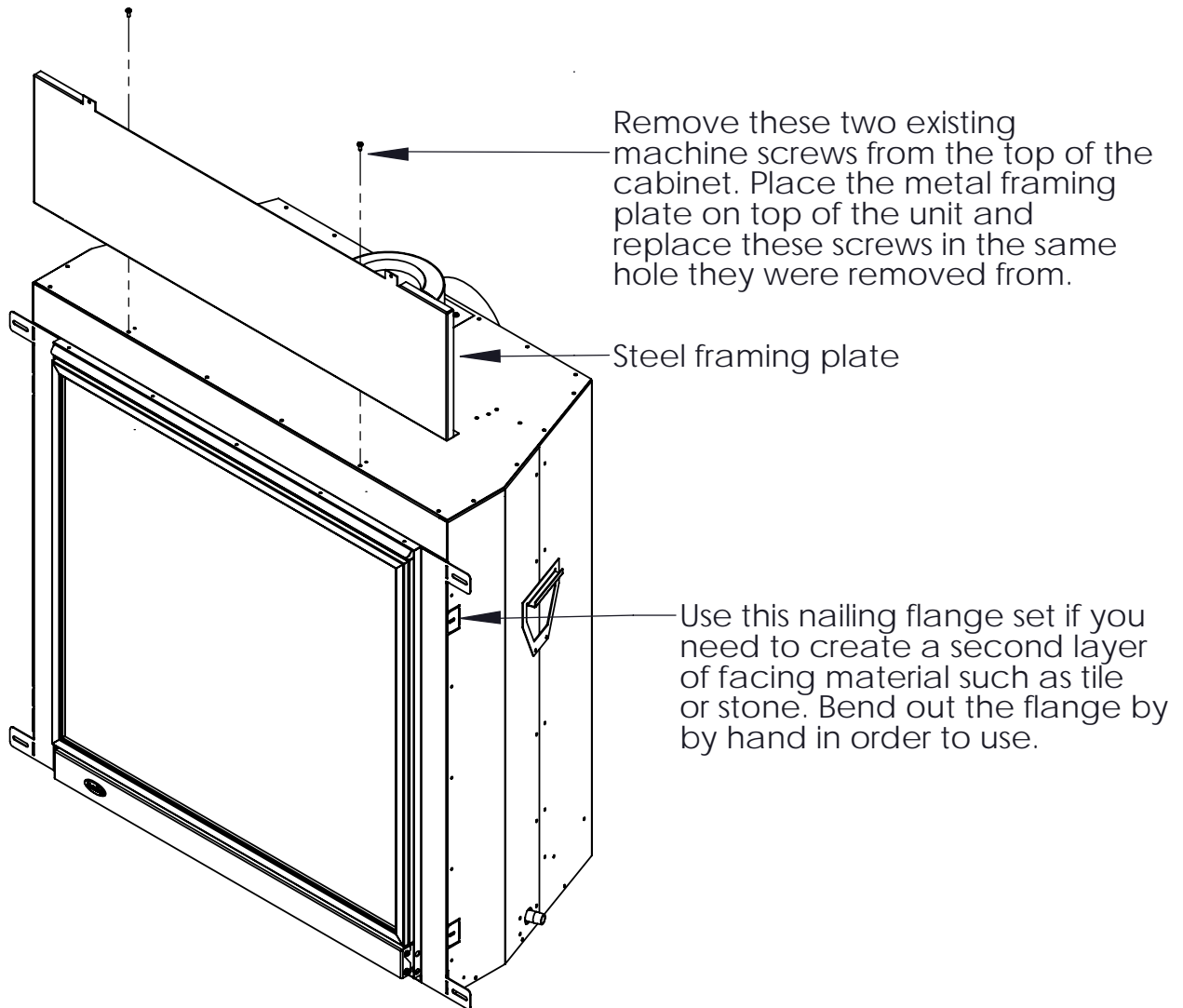


Figure 18A. Framing Plate Installation

# Initial Installation

QUALIFIED INSTALLERS ONLY

## MANTLE & NON-COMBUSTIBLE CLEARANCES:

When installing the Q2G as a zero clearance fireplace the correct clearances and materials must be used:

**ABOVE UNIT:** A minimum **10" (254mm)** of non-combustible facing material must be used above the firebox opening (in front of the included steel framing plate). The non-combustible is only required directly over the firebox opening and does not need to span the entire width of the framing plate.

**IN FRONT OF UNIT:** The Q2G can be placed on the floor if desired although it is recommended that it be raised atleast an inch or higher for more heat sensitive materials such as carpet or linoleum.

**ADJACENT/SIDEWALL:** There must be a minimum distance of **4 5/8" (117mm)** from the side of the Q2G cabinet to an adjacent wall composed of combustible material.

**MANTLE:** It is not necessary to install a mantle, but if one is desired the guidelines as shown in Figure 19. Side mantle clearance should be no less then the distance from the top of the unit to the bottom on the top portion of the mantle.

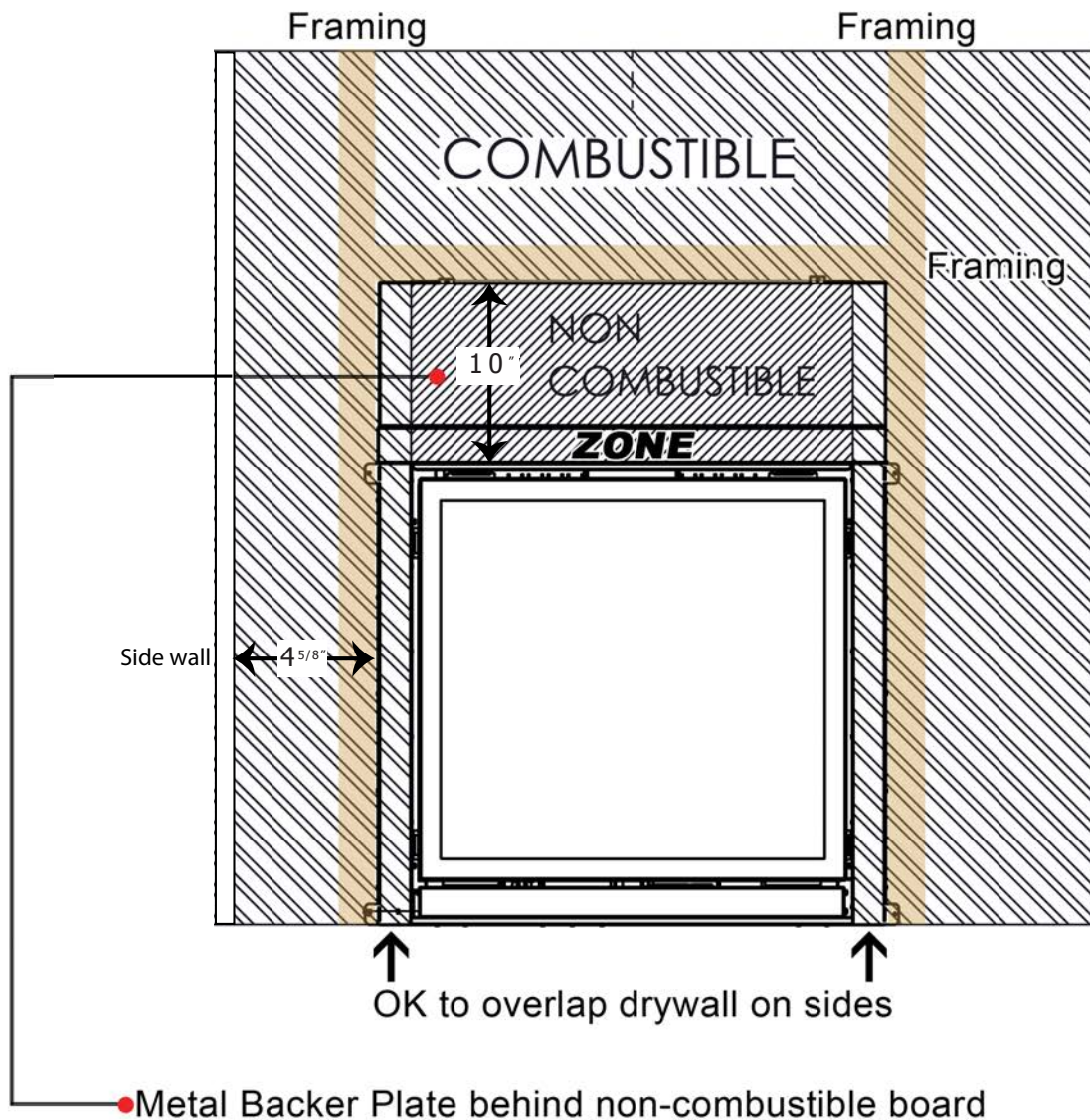


Figure 18B. Non Combustible Material

# Initial Installation

QUALIFIED INSTALLERS ONLY

## Minimum Mantle Clearances

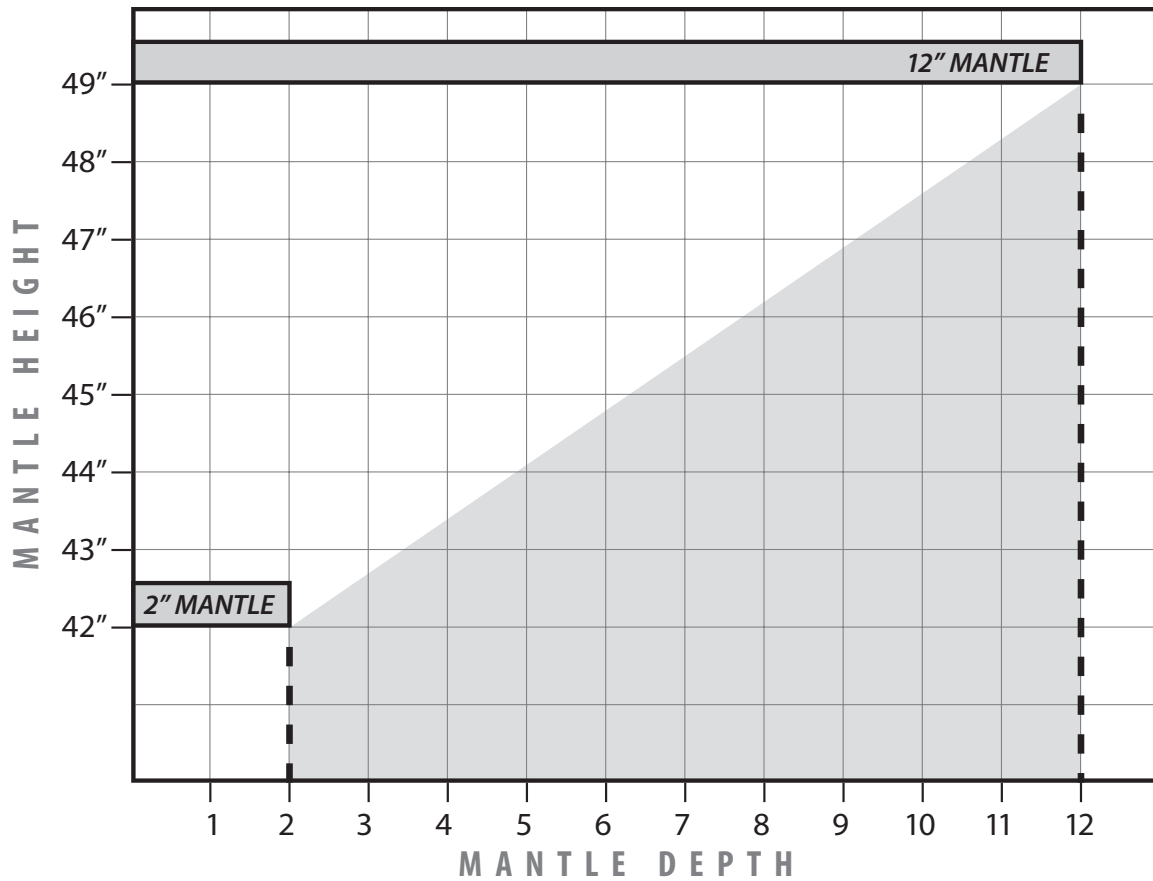


Figure 19. Mantle Clearances

Note: Mantle height dimensions are based from the bottom of the appliance.

# Initial Installation

QUALIFIED INSTALLERS ONLY

## CORNER INSTALLATION:

The dimensions for installing a fireplace in the corner of a room are given in Figures 18. Refer to "INITIAL INSTALLATION - ALLOWABLE CO-AXIAL VENT CONFIGURATIONS" for allowable pipe lengths.

Do not interfere with the structural integrity of the walls.

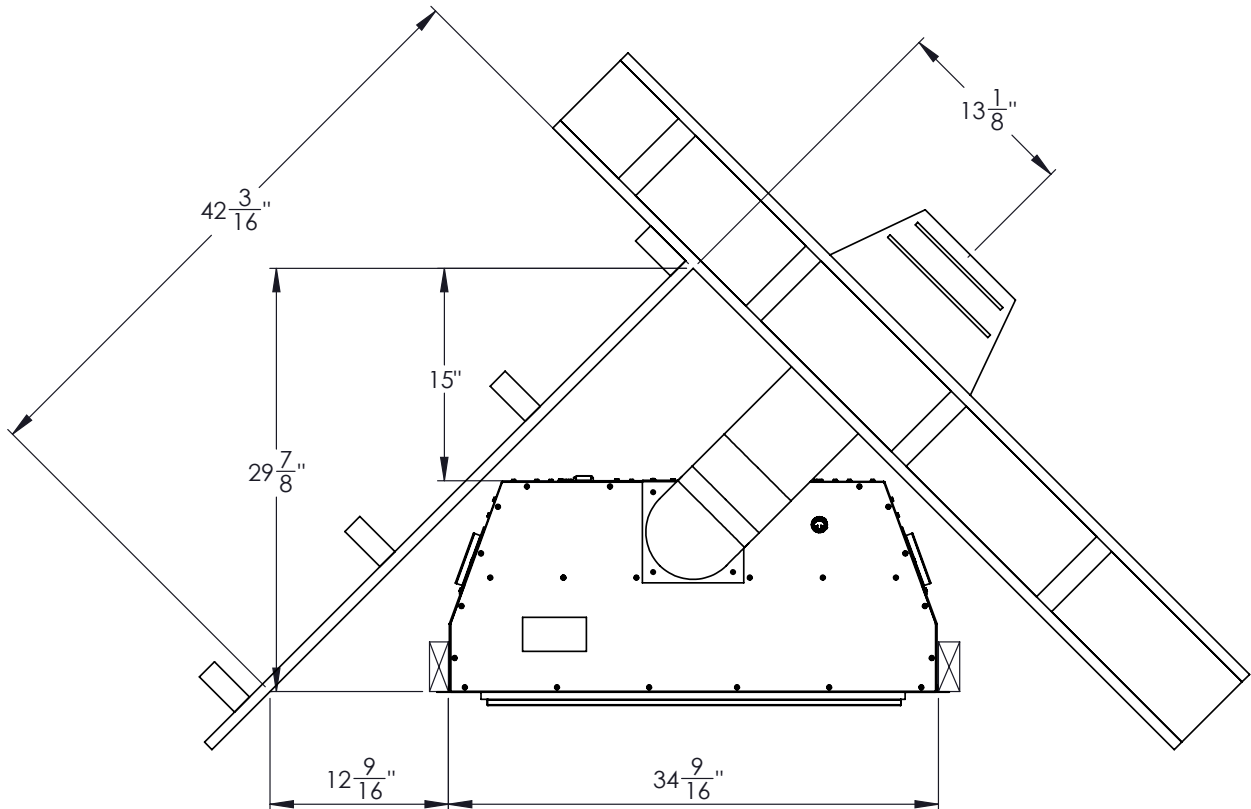


Figure 20. Dimensions for a corner installation

## DIRECT VENT:

**WARNING: This appliance has been designed to draw room air for proper heat circulation from the bottom of the unit, and out the top front. Blocking or modifying these openings in any way can create hazardous situations.**

The vent length for the Q2G must be between **6" (150 mm)** and **40' (12.2 m)**. This model is vented with co-axial **4"** intake, **6 5/8"** exhaust aluminum or stainless steel approved rigid vent leading into a vertical or horizontal termination cap. This model can also be used with aluminum or stainless steel flex venting. The flue collar of this model will fit inside of a standard **4" x 6 5/8"** vent and must be either correctly interlocked or fastened, with three screws directly to the vent collar.

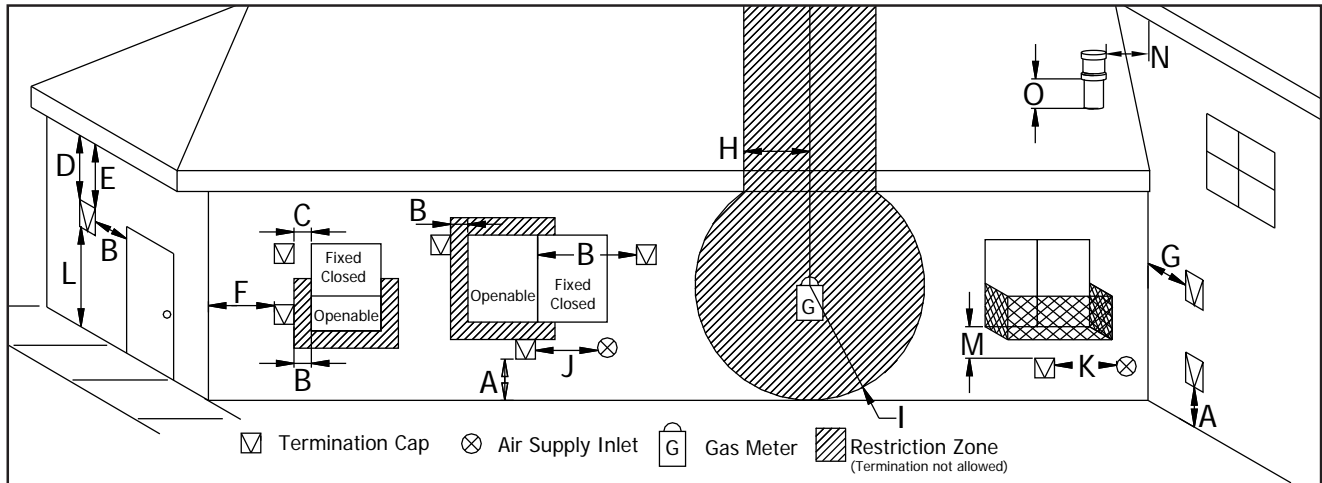
Check periodically that the vents are unrestricted. Also ensure that all direct vent pipes have been properly sealed and installed after routine inspection or cleaning. The air intake and exhaust pipes must be installed in the correct locations on the top of the Q2G.



# Initial Installation

QUALIFIED INSTALLERS ONLY

## VENT TERMINATION RESTRICTIONS:



**Figure 21. Vent Termination Restrictions, refer to Table 3**

**Table 3: Vent Termination Clearances**

Letter	Canadian Installation <sup>1</sup>	US Installation <sup>2</sup>	Description
A	12 in (30 cm)		Clearance above grade, verandah, porch, deck, or balcony.
B	12 in (30 cm)	9 in (23 cm)	Clearance from window or door that may be opened.
C	12 in (30 cm)*		Clearance from permanently closed window (to prevent condensation).
D	24 in (60 cm)*		Vertical clearance to ventilated soffit located above the terminal, within a horizontal distance of 2 ft (60 cm) from center line of terminal.
E	18 in (45 cm)*		Clearance to unventilated soffit.
F	12 in (30 cm)*		Clearance to outside corner.
G	12 in (30 cm)*		Clearance to inside corner.
H	3 ft (91 cm) within a height of 15 ft (4.5 m) above the meter/regulator assembly	3 ft (91 cm) within a height of 15 ft (4.5 m) above the meter/regulator assembly*	Clearance to each side of center line extended above meter/regulator assembly.
I	3 ft (91 cm)	3 ft (91 cm)*	Radial clearance around service regulator vent outlet.
J	12 in (30 cm)	9 in (23 cm)	Clearance to non-mechanical air supply inlet to building, or the combustion air inlet to any other appliance.
K	6 ft (1.83 m)	3 ft (91 cm) above if within 10 ft (3 m) horizontally	Clearance to mechanical air supply inlet.
L	7 ft (2.13 m) <sup>t</sup>	7 ft (2.13 m) <sup>*t</sup>	Clearance above paved sidewalk or paved driveway located on public property.
M	12 in / 30 cm <sup>+</sup>	12 in / 30 cm <sup>*+</sup>	Clearance under verandah, porch, deck, or balcony.
N	12 in (30 cm)*		Clearance horizontally to any surface (such as an exterior wall) for vertical terminations.
O	12 in (30 cm)		Clearance above roof line for vertical terminations.

<sup>1</sup> In accordance with the current CSA B149, Natural Gas and Propane Installation Code.

<sup>2</sup> In accordance with the current ANSI Z223.1 NFPA 54, National Fuel Gas Code.

\* These numbers are only estimates.

<sup>t</sup> A vent shall not terminate directly above a side walk or paved driveway that is located between two single family dwellings and it serves both dwellings.

<sup>+</sup> Permitted only if verandah, porch, deck, or balcony is fully open on a minimum of two sides beneath the floor.

Clearances are in accordance with local installation codes and the requirements of the gas supplier.

**NOTE: Venting terminals shall not be recessed into walls or siding.**

# Initial Installation

QUALIFIED INSTALLERS ONLY

## VENTING CLEARANCES:

A **1" (25 mm)** clearance to combustibles must be maintained around any vertical vent pipe. Around a horizontal vent pipe, the clearance to combustibles should be **2" (51 mm)** above and **1½" (38 mm)** on the sides and bottom. When combustible materials are directly above a 90° elbow, **3" (76 mm)** of clearance are necessary.

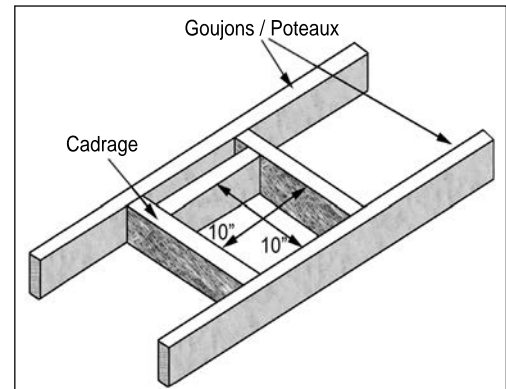
**Table 4. Vent Pipe Minimum Clearances**

	Vertical Pipe to the Side Walls	Horizontal Pipe to the Sides & Bottom	Above an Elbow Above the Unit	Above an Elbow Not Above the Unit	Above Horizontal Vent Pipe	Wall Frame 8" (203mm) or less
Hard Pipe	1" (25.4 mm)	1½" (38.1 mm)	3" (76.2 mm)	3" (76.2 mm)	2" (51 mm)	10"x10" (25x25cm)

A **10" (254 mm) x 10" (254 mm)** frame (see Figure 22) will assure the proper support and spacing for the vent pipe as it passes through the wall. Installations in Canada require that a wall thimble be used for passing through walls and ceilings. All sealing and vapour barriers must comply with local building codes.

The configuration of the venting pipes depends on the locations of walls, ceilings, and studs. However, the pipes cannot be of arbitrary length and arrangement. Because the length of the vertical and horizontal sections dramatically affects the burning efficiency of the fireplace, certain guidelines have been set in INITIAL INSTALLATION - ALLOWABLE CO-AXIAL VENT CONFIGURATIONS. Venting terminals can not be recessed into a wall or siding.

**WARNING: This gas appliance must not be connected to a chimney flue serving a separate solid-burning appliances.**



**Figure 22. Vent Framing For Wall or Ceiling**

## APPROVED VENTING PARTS:

**Table 5: Approved Vent Manufacturers**

Manufacturer	Trade Name	Nominal Sizes
American Metal Products	AmeriVent Direct	4" - 6 5/8"
ICC	EXCELDirect	4" - 6 5/8"
Security Chimneys International LTD	Secure Vent	4" - 6 5/8"
Selkirk Metalbestos	Direct-Temp	4" - 6 5/8"
BDM Pro-Form Flexible DV	Pro-Form	4" - 6 5/8"
M&G Dura-Vent	Direct Vent GS	4" - 6 5/8"

The Q2G fireplace has been tested and certified for use with AMERICAN METAL PRODUCTS "AMERIVENT DIRECT", SIMPSON DURAVENT TYPE GS PIPE FOR GAS STOVES. SECURITY CHIMNEY'S "SECURE VENT DIRECT VENT SYSTEM" and SELKIRK "DIRECT-TEMP VENT SYSTEM" kits are available for horizontal and vertical venting. When using Simpson Duravent, it is recommended that, before installation, a bead of RTV High Temperature Silicone should be applied to each outer vent joint, and Mil-Pac to each inner joint. When planning an installation, it will be necessary to select the proper length of vent pipe for the particular requirements.

# Initial Installation

## QUALIFIED INSTALLERS ONLY

EXCEPTION TO WARNING: This product has been evaluated by Intertek for using a Direct Vent GS starting collar in conjunction with Secure Vent, Direct-Temp, AmeriVent Direct, and EXCELDirect venting systems. Use of these systems with the Direct Vent GS starting collar is deemed acceptable and does not affect the Intertek WH listing of the appliance.

**Table 6: Vent part numbers (Must state if galvanized or black wanted, PART NUMBERS)**

Direct Vent GS	Direct-Temp	Secure Vent	Ameri Vent Direct	Description
908	4DT-6	SV4L6		6" pipe length
			4D7	7" pipe length
907	4DT-9			9" pipe length
906	4DT-12	SV4L12	4D12	12" pipe length
904	4DT-24	SV4L24	4D2	24" pipe length
903	4DT-36	SV4L36	4D3	36" pipe length
902	4DT-48	SV4L48	4D4	48" pipe length
945	4DT-EL45	SV4EBR45	4D45B	45° elbow, black
990	4DT-EL90	SV4EBR90	4D90B	90° elbow, black
950	4DT-VS	SV4VS		Vinyl siding standoff/sheild
942	4DT-WT	SV4RSN	4DWT	Wall thimble
953	4DT-SC	SV4FC	4DSC	Storm collar
963	4DT-FS	SV4BF	4DFSP	Fire stop
988	4DT-WS/B	SV4BM	4DWS	Wall strap/support/band
970	4DT-HKA	SV0SHK	4DHTK1	Horizontal termination kit (SD: Basic Kit, SEL: Kit A, SC: Standard Kit)
911				11" to 14 5/8" pipe, adjustable
	4DT-AJ		4D12A	4" to 10" pipe , adjustable
		SV4LA12		1 1/2" to 12" pipe , adjustable
943	4DT-AF6		4DF	Flashing, 0/12 to 6/12 roof pitch
943S	4DT-AF12		4DF12	Flashing, 7/12 to 12/12 roof pitch
		SV4FA		Flashing, 1/12 to 7/12 roof pitch
		SV4FB		Flashing, 8/12 to 12/12 roof pitch
943F		SV4F		Flat flashing
991	4DT-HVC			High wind vertical termination
985	4DT-HHC			High wind horizontal termination
978	4DT-VKC	SV0FAK	4DVTK	Vertical termination kit
971	4DT-HKB	SV0SHK2	4DHTK2	Horizontal termination kit (SD: Kit A, SEL: Kit B, SC: Kit)

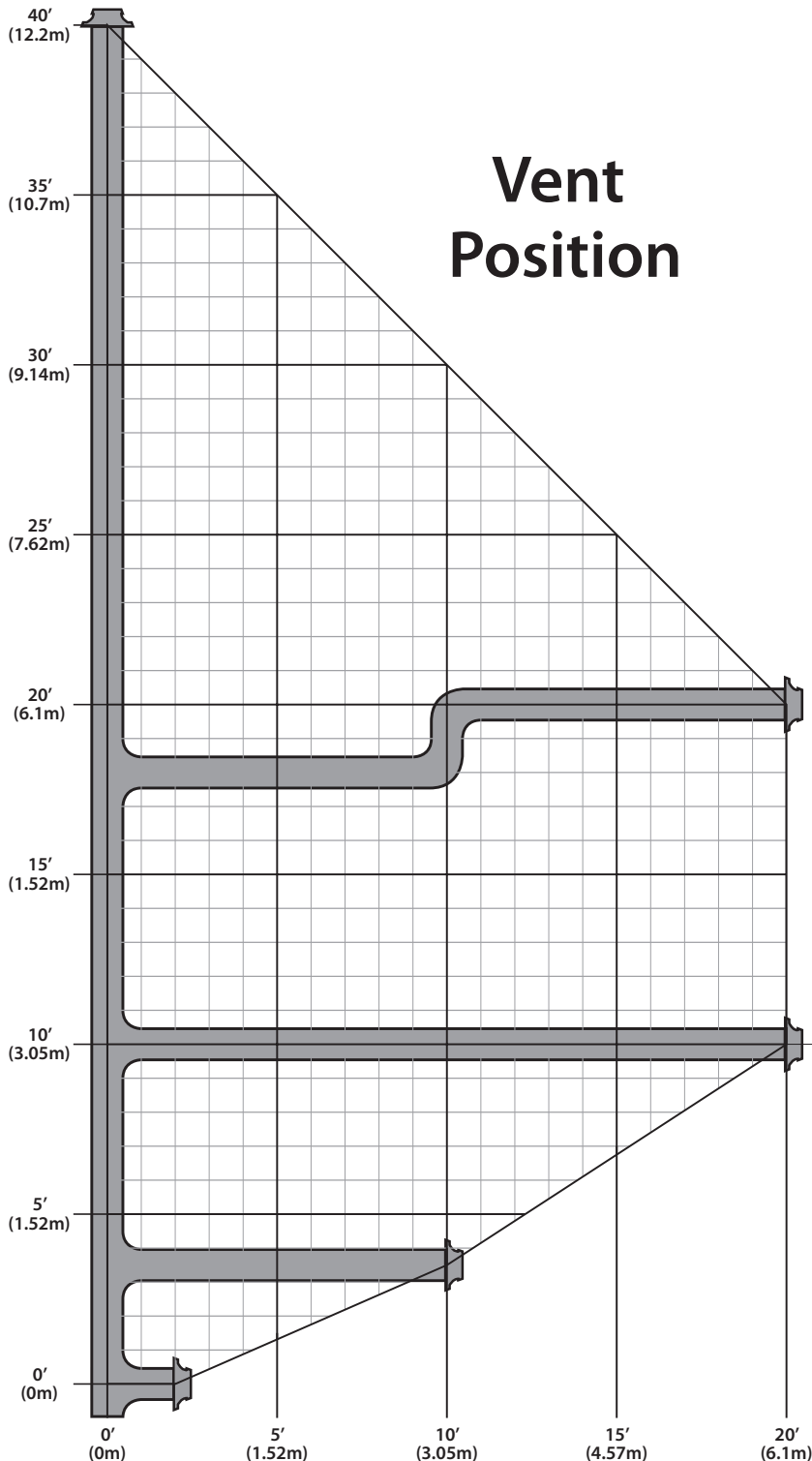
# Initial Installation

QUALIFIED INSTALLERS ONLY

## ALLOWABLE CO-AXIAL VENT CONFIGURATIONS:

Figure 23 shows the range of venting options for **top vented configurations only** using either vertical or horizontal terminations; any layout that remains within the shaded area is acceptable. Having the fewest number of elbows is ideal as they tend to disrupt air movement. Using 45° elbows is preferable to using 90° elbows. Also, a shorter vent system will perform better than a longer one. The total length of horizontal vent pipe can not exceed 20 feet (6.1m) and the total vent length can not exceed 40ft (12.2m).

Any combination of rise and run can be used as long as it lays within the shaded area (a total of two (2) 90° elbows or four (4) 45° elbows can be used. In addition to what is shown, if a 90° elbow is used in the horizontal plane, 3 feet (91.4cm) must be subtracted from the allowable horizontal run (for each 45° elbow, 1½ feet must be subtracted).



**Figure 23. Possible Vent Configurations for Top Vent Only. Vertical and Horizontal Terminations**

# Initial Installation

QUALIFIED INSTALLERS ONLY

## HORIZONTAL TERMINATION:

### NOTES:

**1. Horizontal pipes must not be level. For every 12" (305 mm) of horizontal travel (away from the stove), there should be at least 1/4" (6.4 mm) of vertical travel. Never allow the vent to run downward, as this could cause high temperatures or even present the possibility of a fire.**

2. The exterior of the horizontal vent termination must not be blocked or obstructed.

3. If the vent termination is not being attached to wood, the four wood screws provided should be replaced with material appropriate fasteners.

4. For buildings with vinyl siding, a vinyl standoff should be installed between the vent cap and the exterior wall. Attach the vinyl siding standoff to the horizontal termination. Note that the termination bolts onto the flat portion of the standoff, providing an air space between the wall and the vent termination. The air gap prevents excessive heat from possibly melting the vinyl siding.

5. Horizontal pipes must be supported every **3' (914 mm)**.

Plumber's all round strap will suffice.

6. When running horizontal pipe, clearances to combustibles must be maintained **1½ inches (38 mm)** sides, **1½ inches (38 mm)** bottom, and **2" (51 mm)** top.

**Step 1.** Set the fireplace in the desired location. Check to determine if wall studs will be in the way when the venting system is attached. If this is the case, the location of the fireplace may have to be adjusted or the venting may have to be offset.

**Step 2.** Direct vent pipe sections are designed with special twist-lock connections. Dry fit the desired combination of pipe and elbows to the appliance adaptor.

**Step 3.** With the pipe in the correct position and attached to the fireplace, mark the wall for a **10" (25.4 cm) x 10" (25.4 cm)** square hole (see Figure 24). The center of the hole should match the center line of the horizontal pipe. Cut and frame the hole in the exterior wall where the vent will be terminated. If the wall being penetrated is made of a non-combustible material (i.e. masonry or concrete) a **7" (17.8 cm)** hole is acceptable.

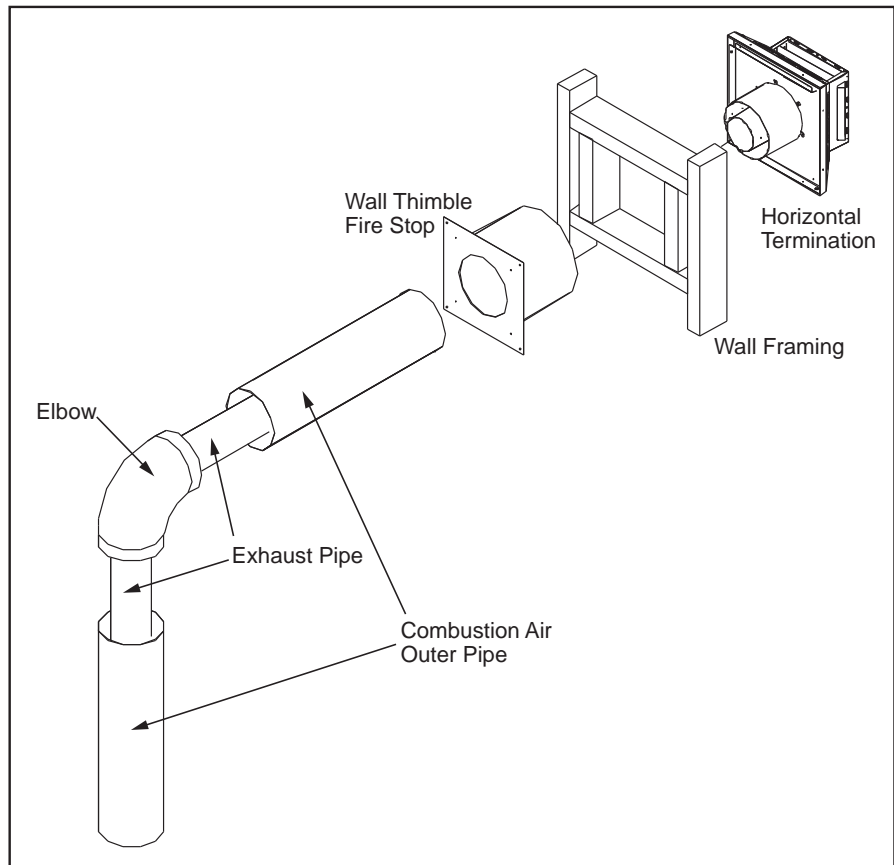


Figure 24. Horizontal Vent Termination

# Initial Installation

## QUALIFIED INSTALLERS ONLY

**NOTE:** For Simpson Duravent only, place a bead of Mil-Pac or Rutland No 78 Stove and Gasket Cement on the outer edge of the inner exhaust pipe (non-flared end). Push the pipe sections together, then twist about ¼ turn, making sure the two sections are fully locked. Wrap all seams with foil ducting tape.

**Step 4.** With the hole now framed, the wall thimble installed, and the pipe extending into the wall, proceed to the outside. Attach the termination to the pipe using RTV and Mil-Pac or Rutland No 78 Stove and Gasket Cement to seal joints. The vent pipe must extend into the vent cap at least **1¼ inches (3.2 cm)**. Secure the connection between the vent cap and the pipe by attaching the two (2) sheet metal straps, which extend from the vent cap assembly to the outer wall of the vent pipe. Bend any remaining portion of the strap back towards the vent cap. Security Secure Vent uses a twist lock cap.

**Step 5.** Position the horizontal vent termination in the center of the **10" (25.4 cm)** square hole and attach to the exterior wall with the four screws provided. The arrow on the vent termination should be pointing up. Run a bead of non-hardening mastic around the edges of the vent cap, to make a seal with the wall. Ensure the proper clearances to combustibles have been maintained.

## VERTICAL TERMINATION:

**Step 1.** Check the instructions for required clearances (air spaces) to combustibles when passing through ceilings, walls, roofs, enclosures, attic rafters, or other nearby combustible surfaces. Do not pack air spaces with insulation.

**Step 2.** Set the gas appliance in the desired location. Drop a plumb bob down from the ceiling to the position of the appliance flue exit, and mark the location where the vent will penetrate the ceiling. Drill a small hole at this point. Next, drop a plumb bob from the roof to the hole previously drilled in the ceiling, mark the spot where the vent will penetrate the roof. Determine if ceiling joists, roof rafters, or other framing will obstruct the venting system. You may wish to relocate the appliance, or to offset, to avoid cutting load bearing members.

**Step 3.** To install the Round Support Box/Wall Thimble in a flat ceiling, cut a **10" (25.4 cm)** square hole in the ceiling, centered in the hole drilled in Step 2. Frame the hole as shown in Figure 25.

**Step 4.** Assemble the desired lengths of black pipe and elbows necessary to reach from the appliance adapter up through the Round Support Box. Insure that all pipe and elbow connections are in their fully twist-locked position.

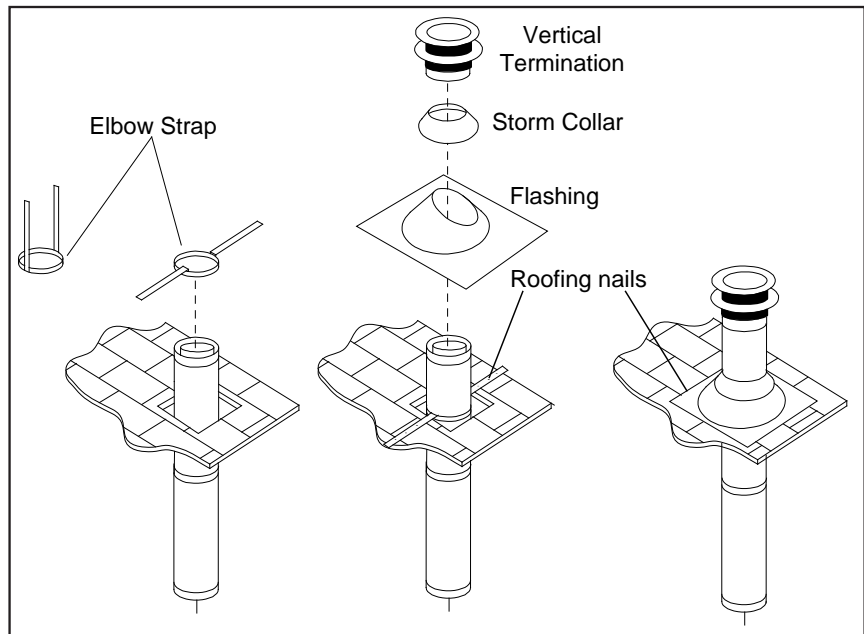


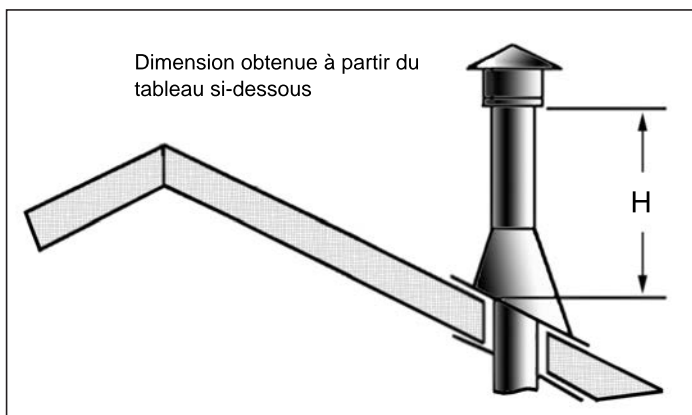
Figure 25A. Vertical Vent Termination



# Initial Installation

## QUALIFIED INSTALLERS ONLY

- Step 5.** Cut hole in the roof centered on the small hole placed in the roof from Step 2. The hole should be of sufficient size to meet minimum requirements for Clearance to Combustibles, as specified. Continue to assemble lengths of pipe and elbows necessary to reach from the ceiling support box up through the roof line. Galvanized pipe and elbows may be utilized in the attic, as well as above the roof line. The galvanized finish is desirable above the roof line, due to the higher corrosion resistance.
- Step 6.** Once the pipe sections have been joined, and run up through the hole in the roof, slip an elbow strap over the exposed sections, bend the support straps outwards, and push the elbow strap down to the roof level, as shown in Figure 25. Tighten the clamp around the pipe section. Use a level to make sure the pipe is truly vertical. With roofing nails, secure the support straps to the roof. Seal the nails holes heads with non-hardening mastic. Trim the excess length of the support straps that extend out beyond the edge of the flashing.
- Step 7.** Slip the flashing over the pipe section protruding through the roof. Secure the base of the flashing to the roof with roofing nails. Use a non-hardening sealant between the uphill edge of the flashing and the roof. Insure the roofing material overlaps the top edge of the flashing. Verify that you have at least the minimum clearance to combustibles at the roof line.
- Step 8.** Continue to add pipe sections until the height of the vent cap meets the minimum code requirements. Refer to Figure 26 and Table 7. Note that for steep roof pitches, the vent height must be increased. In high wind conditions, nearby trees, adjoining roof lines, steep pitched roofs, and other similar factors can result in poor draft, or down drafting. In these cases, increasing the vent height may solve the problem.
- Step 9.** Slip the storm collar over the pipe, and push it down to the top of the roof flashing as shown in Figure 25. Use the non-hardening sealant around the joint between the pipe and the storm collar.
- Step 10.** Twist-lock the vent cap.



**Figure 26B: Height of Vertical Termination; Reference Table 7**

**Table 7: Minimum 'H' for Figure 26.**

Roof Pitch	Minimum Height (H)	
	Feet	Meters
Flat to 7/12	1	0.3
Over 7/12 to 8/12	1.5	0.46
Over 8/12 to 9/12	2	0.61
Over 9/12 to 10/12	2.5	0.76
Over 10/12 to 11/12	3.25	0.99
Over 11/12 to 12/12	4	1.22
Over 12/12 to 14/12	5	1.52
Over 14/12 to 16/12	6	1.83
Over 16/12 to 18/12	7	2.13
Over 18/12 to 20/12	7.5	2.29
Over 20/12 to 21/12	8	2.44

# Initial Installation

QUALIFIED INSTALLERS ONLY

The Q2 is certified to be installed with the 4"/6.625" BDM Pro-Form Flexible Direct Venting system. There is a 5ft and 10ft kit certified for use with the Q2/Q2I. These kits are for Top vent only and must be horizontally terminated.

## Important Information

Flex venting clearance to combustibles is 1" standard, 3" above an elbow.

Minimum Vent Height 8" from bottom of unit.

Do not bend flex venting over 90°.

A vinyl siding stand off must be used for terminations on a vinyl exterior wall.

This fireplace must not be connected to a chimney flu servicing another type of appliance.

1. Install thimble into framing.
2. Gently stretch flex vent if needed, then insert through thimble to exterior.
3. Termination comes already secured to the flex venting, do not detach! Feed venting through thimble from the exterior.
4. Secure the termination to exterior wall using the supplied screws.
5. Before attaching other end of venting to the fireplace apply liberal bead of pipe sealant to the inner/outer collar.
6. Slide the Venting onto the collar and secure with supplied screws.

## BDM Pro-Form Flexible Direct Vent Kit

5ft - 50-3461

10ft - 50-3462

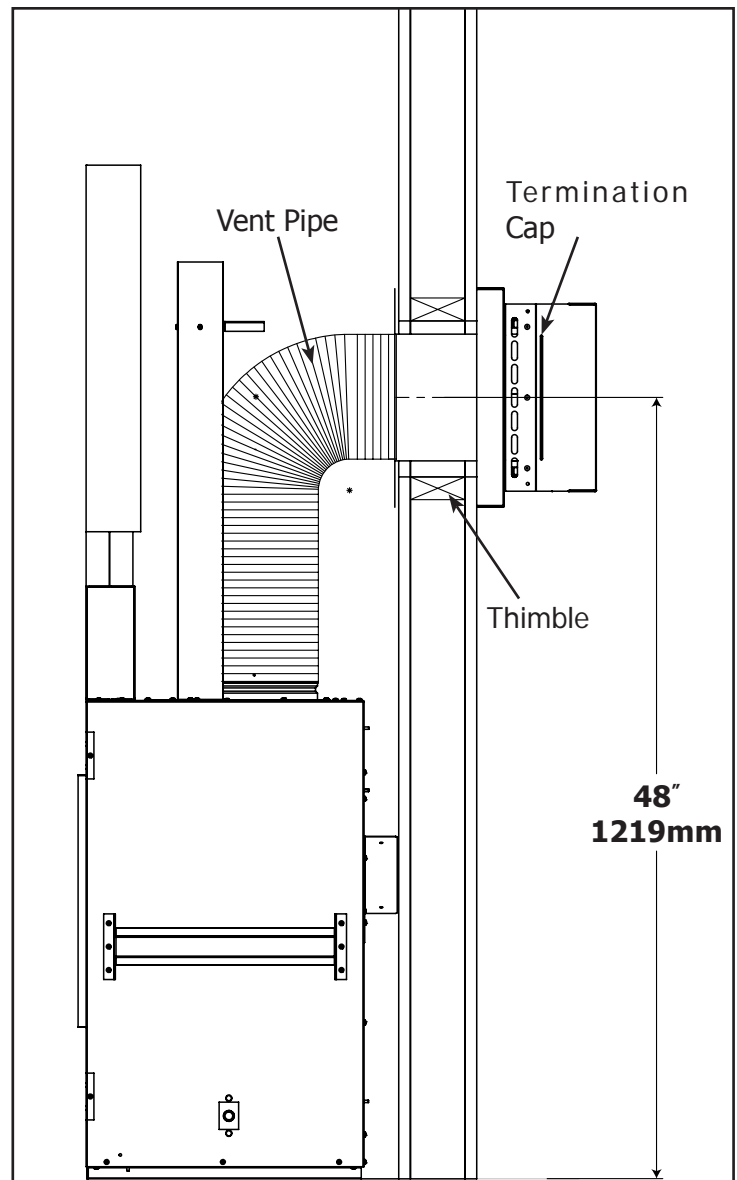
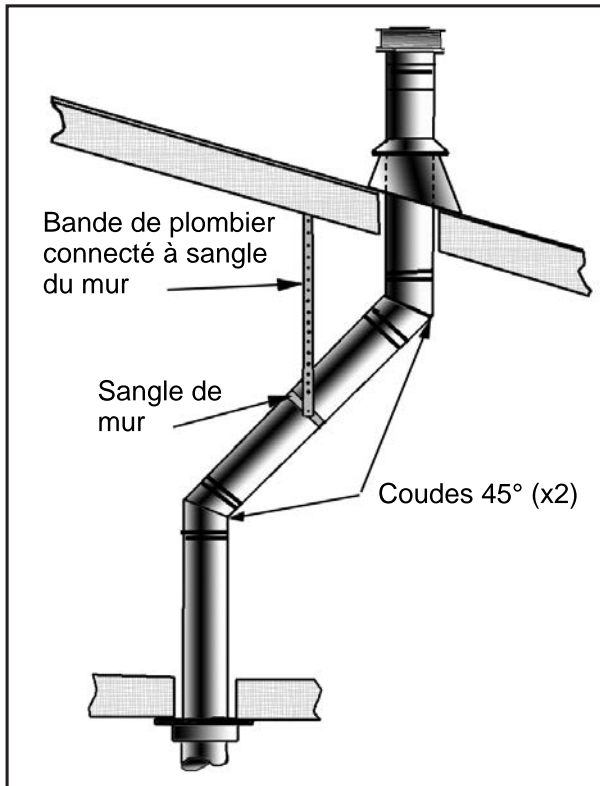


Figure 27. Minimum Vent Height

# Initial Installation

QUALIFIED INSTALLERS ONLY

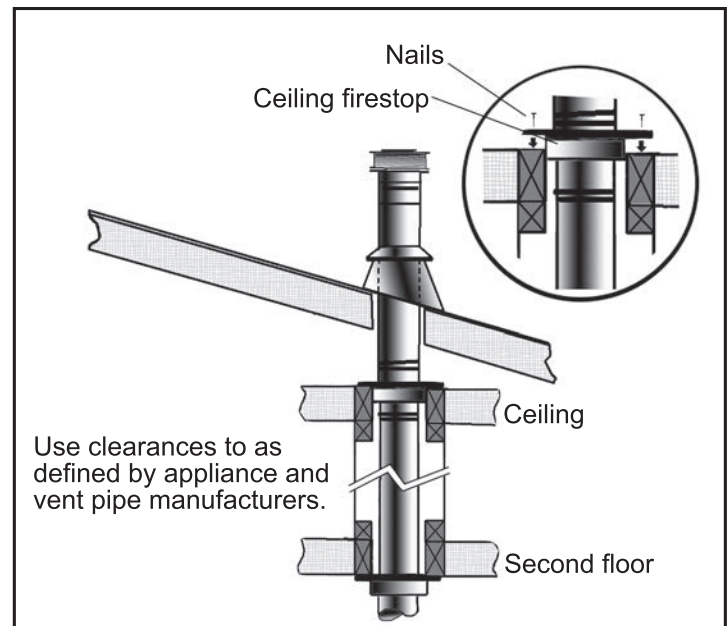


**Figure 27: Use of Wall Straps.**

- (4) Any occupied areas above the first floor, including closets and storage spaces, which the vertical vent passes through, must be enclosed. The enclosure may be framed and sheet-rocked with standard building materials. However consult the appliance manufacturers installation instructions for the minimum allowable clearance between the outside of the vent pipe, and the combustible surfaces of the enclosure. Do not fill any required air spaces with insulation.

## NOTES:

- (1) If an offset is necessary in the attic to avoid obstructions, it is important to support the vent pipe every **3' (914 mm)**, to avoid excessive stress on the elbows, and possible separation. Wall straps are available for this purpose (see Figure 27).
- (2) When ever possible, use 45° degree elbows instead of 90° degree elbows. The 45° degree elbow offers less restriction to the flow of flue gases and intake air.
- (3) For multi story installations; a ceiling firestop is required at the second floor, and any subsequent floors (see Figure 28). The opening should be framed to **10" (254 mm) x 10" (254 mm)** inside dimensions, in the same manner as shown in Figure 22.



**Figure 28: Multi-Story Vent Pipe Installation**

# Initial Installation

QUALIFIED INSTALLERS ONLY

## GAS LINE CONNECTION AND TESTING:

**WARNING:** Only persons licensed to work with gas piping may make the necessary gas connections to this appliance.

### GAS LINE CONNECTION

- This stove is equipped with a certified flexible pipe located on the right side of the unit terminating in a **3/8"** female JIC fitting. Consult your local authorities codes or the CAN/CGA B 149 (1 or 2) installation code in Canada, or in the USA gas installations follow either local codes or the current edition of the National Fuel Gas Code ANSI Z223.1.
- The efficiency rating of this appliance is a product thermal efficiency rating determined under continuous operating conditions and was determined independently of any installed system.

The appliance and its shutoff valves must be disconnected from the gas supply piping system during any pressure testing where the pressure exceeds 1/2 PSIG (3.45 KPa) or damage will occur to the valve.

The appliance must be isolated from the gas supply piping system by closing its individual manual shutoff valve during any pressure testing of the gas supply piping system at test pressures equal to or less than 1/2 psig (3.45 KPa).

**Always check for gas leaks with a soap and water solution after completing the required pressure test.**

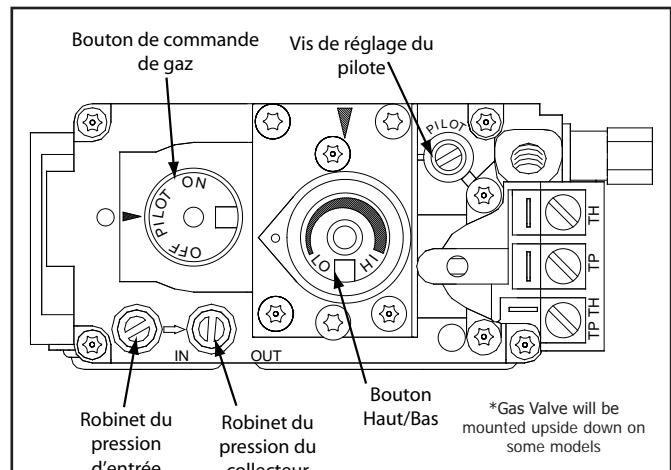


Figure 29: Fully Labeled Gas Valve.

### TO TEST VALVE PRESSURES

The pressure taps are located on the top right of the valve shown in Figure 29.

- Turn set screw 1 turn counter clockwise to loosen,
- Place 5/16" (8 mm) I.D. hose over pressure tap system.
- Check pressures using a manometer.
- When finished, release pressure, remove hose & tighten set screw.

Table 8: Pressure and BTU Information

	Natural Gas	Propane Gas
<b>Main Orifice</b>	#40 DMS	#55 DMS
<b>Manifold Pressure</b>	3.5" W.C. (0.87 KPa)	10.0" W.C. (2.49 KPa)
<b>Min. Manifold Pressure</b>	1.6" W.C. (0.40 KPa)	6.4" W.C. (1.59 KPa)
<b>Max Supply Pressure</b>	7.0" W.C. (1.74 KPa)	11.0" W.C. (2.74KPa)
<b>Min. Supply Pressure</b>	4.5" W.C. (1.12 KPa)	10.4" W.C. (2.59 KPa)
<b>Max BTU/hr Input</b>	24,000 BTU/hr (7.03 KW)	20,000 BTU/hr (5.86 KW)
<b>Min. BTU/hr Input</b>	17,000 BTU/hr (1.12 KW)	16,000 BTU/hr (4.69 KW)

**NEVER USE AN OPEN FLAME FOR LEAK TESTING.**

# Initial Installation

QUALIFIED INSTALLERS ONLY

## ELECTRICAL REQUIREMENTS:

This **Q2G** will operate without external electrical power. This model has a Millivolt gas control which uses the pilot flame to generate enough electricity to operate the main burner. This appliance when equipped with a blower, must be electrically connected and grounded in accordance with local codes or in the absence of local codes, with the current CSA C22.1 CANADIAN ELECTRICAL CODE Part 1, SAFETY STANDARDS FOR ELECTRICAL INSTALLATIONS, OR THE NATIONAL ELECTRICAL CODE ANSI / NFPA 70 in the U.S.

**CAUTION:** Label all wires prior to disconnection when servicing controls. Wiring errors can cause improper and dangerous operation. Verify proper operation after servicing.

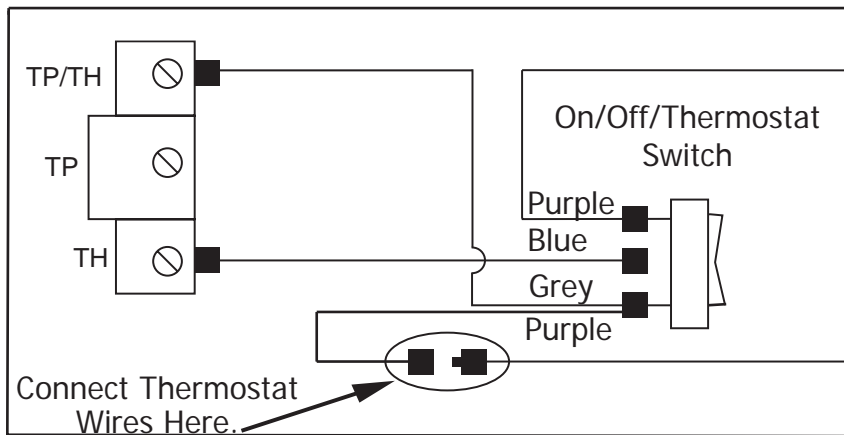


Figure 30: Q2G Wiring Diagram

Table 9: Recommended Thermostat Wire Size

Wire Size	Max. Length
14 gauge	100 ft (30.48 m)
16 gauge	60 ft (18.29 m)
18 gauge	40 ft (12.00 m)
20 gauge	25 ft (7.62 m)
22 gauge	18 ft (5.49 m)

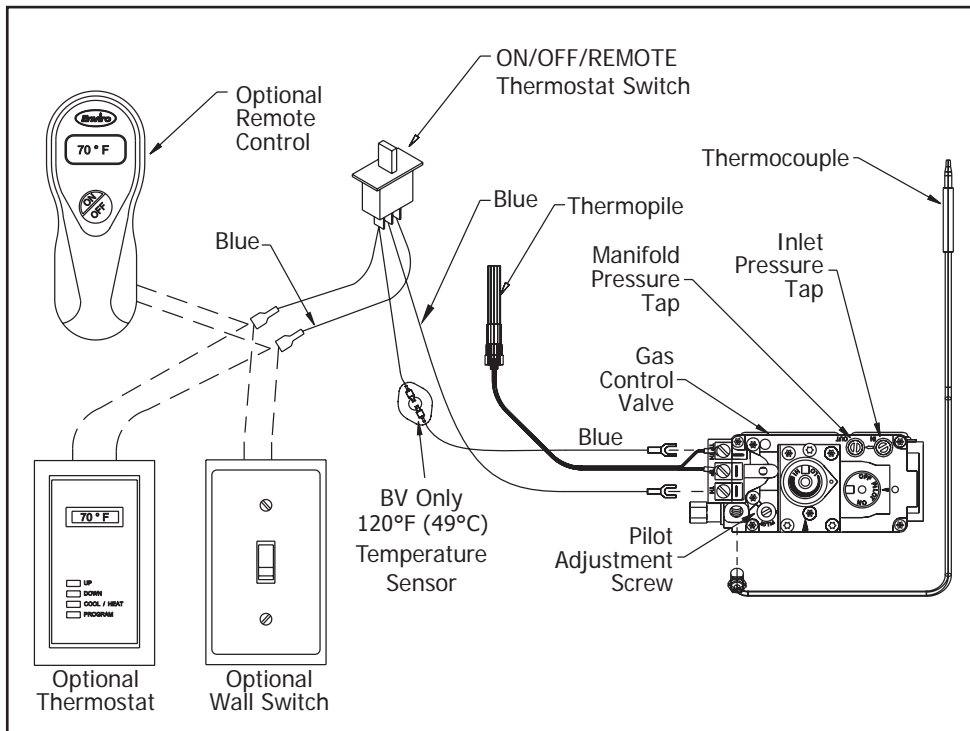


Figure 31: Accessory Wiring

The Q2G comes from the manufacture with an on/off switch mounted to the control panel. If you would like to install a wall mounted switch or thermostat then use the diagram to assist you in wiring the accessory into the unit. Disconnect the connection behind the switch in the control panel as tap into the (2) terminals as shown in Figure 31

Optional Thermostat (50-583)

Optional Wall Switch (50-559)

# Initial Installation

QUALIFIED INSTALLERS ONLY

## ELECTRICAL REQUIREMENTS:

Optional Fan Kit (50-2981): The fan will not operate if the appliance is cold. Once the unit is lit and the fan is set to the desired level, the fan will automatically turn on upon reaching operating temperature. The fan will automatically turn off after the appliance has cooled down.

The fireplace must be electrically connected and grounded in accordance with local codes or, in the absence of local codes, with the current CSA C22.1 Canadian Electrical Code Part 1, Safety Standards For Electrical Installations, or The National Electrical Code ANSI / NFPA 70 in the US..

## Receptacle Inside Cabinet

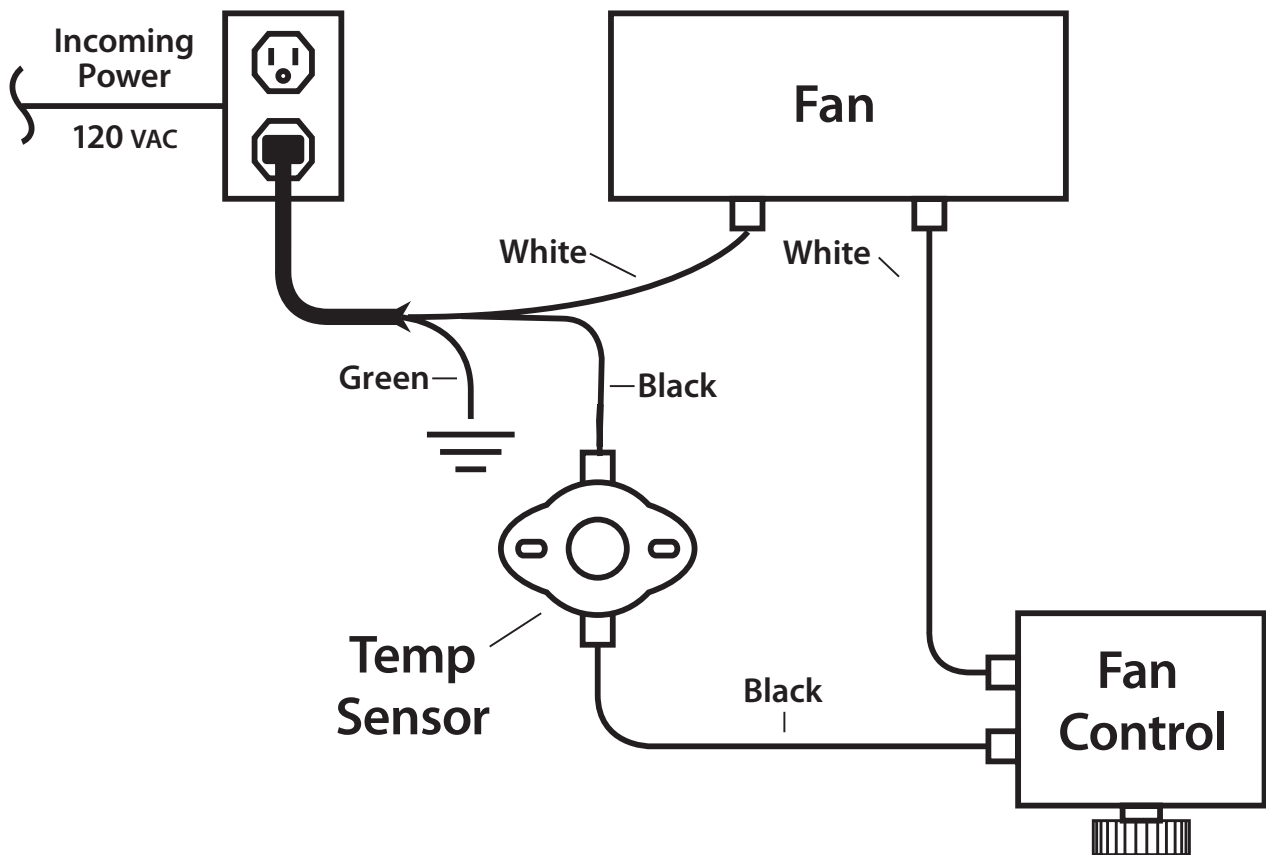


Figure 32: Fan wiring diagram

**CAUTION:** When servicing controls, label all wires prior to disconnection. Wiring errors can cause improper and dangerous operation. Verify proper operation after servicing. If any of the original wire supplied with the appliance must be replaced, it must be replaced with 18 AWG wire with a temperature rating of 105°C.

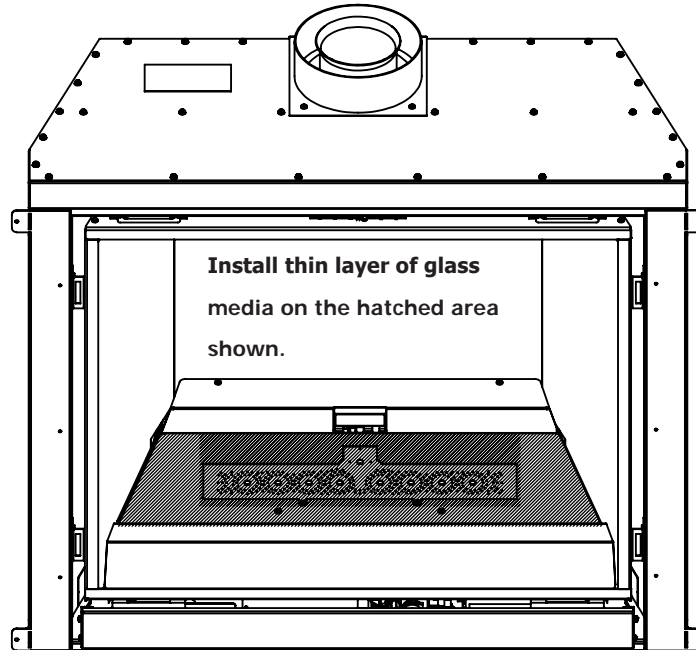


# Secondary Installation

## GLASS MEDIA INSTALLATION (50-2937):

**Caution!** Always wear gloves when handling the crushed glass; some pieces can be very sharp.

A 4 lb bag of diamond glass is included with the Q2G. Open the bag carefully and spread it out evenly over the enameled tray. Do not pour the entire bag contents out just use enough glass to cover the tray lightly. The rest of the glass should be kept for replacement if needed. If too much crush glass is used the flame appearance could be compromised or soot build-up may occur. The holes in the burner pan are used to supply fresh air to the flame; the glass may jam in on itself over these holes. It is perfectly acceptable for some glass pieces to fall through upon installation.



**Figure 33. Glass Media Installation**

# Secondary Installation

---

## **DRIFTWOOD LOG SET INSTALLATION (50-3314):**

---

This kit can be installed with the glass media included with the unit or with the Vermiculite included with the Driftwood kit. The media of choice will be installed first, see figure 38. Make sure a thin even layer of media is installed over the area shown. Once media is installed place the logs and rocks around the burner as shown in the installation instructions.



**Figure 34. Glass Media Installation**

# Secondary Installation

## FAN INSTALLATION (OPTIONAL 50-2981):

This appliance when installed, must be electrically connected and grounded in accordance with local codes or in the absence of local codes, with the current CSA C22.1 CANADIAN ELECTRICAL CODE. Part 1, SAFETY STANDARDS FOR ELECTRICAL INSTALLATIONS, or THE NATIONAL ELECTRICAL CODE ANSI / NFPA 70 in the USA.

**CAUTION:** Label all wires prior to disconnection when servicing controls. Wiring errors can cause improper and dangerous operation. Verify proper operation after servicing.

### Installation of Fan Kit:

1. Remove the contents from the box and inspect for any damage to the fan assembly. If damage is noticed call your nearest ENVIRO dealer. Inspect the wiring harness and ensure it resembles Figure 1.
2. Disconnect the power source that will be coming into the appliance by flipping the circuit breaker to avoid personal injury or damage to the components.
3. Install the fan controller into the control panel as shown in Figure 2. Use the retainer nut to secure the controller. Note: The nut bites into controller shaft without threads.
- 4a. If the appliance has not yet been installed into a construction enclosure remove the fan cover plate with the (10) screws at the rear of the unit using a 1/4" socket (see Figure 3); slot the fan into the silicone retainers on the opposite side as shown in Figure 4.
- 4b. If the appliance is already installed into a construction enclosure you will need to consult your Q2 Owner's Manual on how to remove the interior firebox components. Once they are removed see Figure 5 on how to remove the Valve Tray using the (23) T-20 screws. Be careful not to damage the sealing gasket - If gasket gets damaged replace that section with high-temp silicone. Do not completely remove the valve tray just lift it up enough to get the fan inside and mounted onto the silicone grommets as shown in Figure 4.
5. Have a certified electrician bring the power wires in through the electrical box and connect them to the supplied electrical receptacle. Screw the receptacle into the electrical box then install the cover plate. Use the wiring diagram shown in Figure 6. It is easiest to wire the temperature sensor together before mounting it in the retainer already installed below the firebox. Ground the green wire to the fan cover using the supplied self tapping screw wherever convenient.
6. Double check to be sure all wiring is correct then replace all components that were disassembled in the previous steps and flip the circuit break to the on position.
7. The fan will not turn on until 120F or 49C has been reached under the fireplace. The fan will continue to run even after the appliance has turned off until the temperature has dropped below the set point (this could be up to 20 minutes after shut down).



Figure 1: Wiring Harness

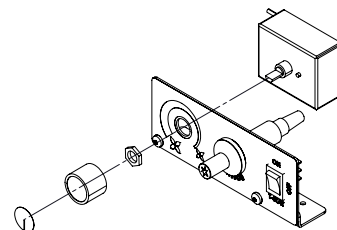


Figure 2: Fan Controller Mounting

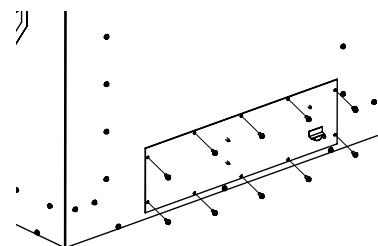


Figure 3: Fan Cover Removal

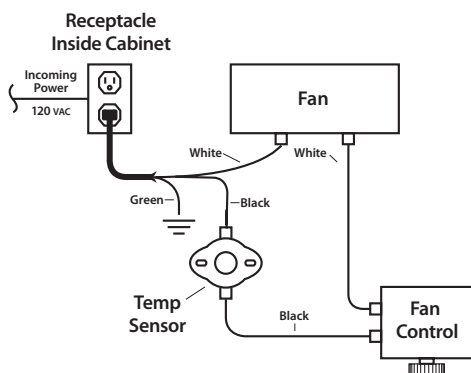


Figure 6: Fan Wiring

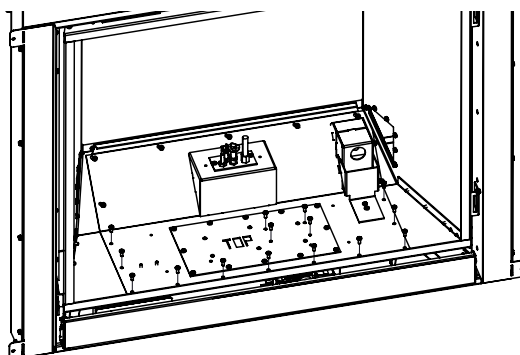


Figure 5: Valve Tray Removal

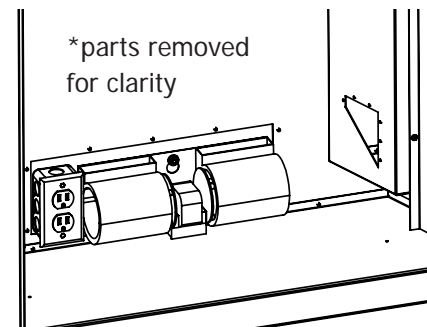


Figure 4: Fan Mounting

# Trouble Shooting

**Table 10: Q2G Trouble Shooting**

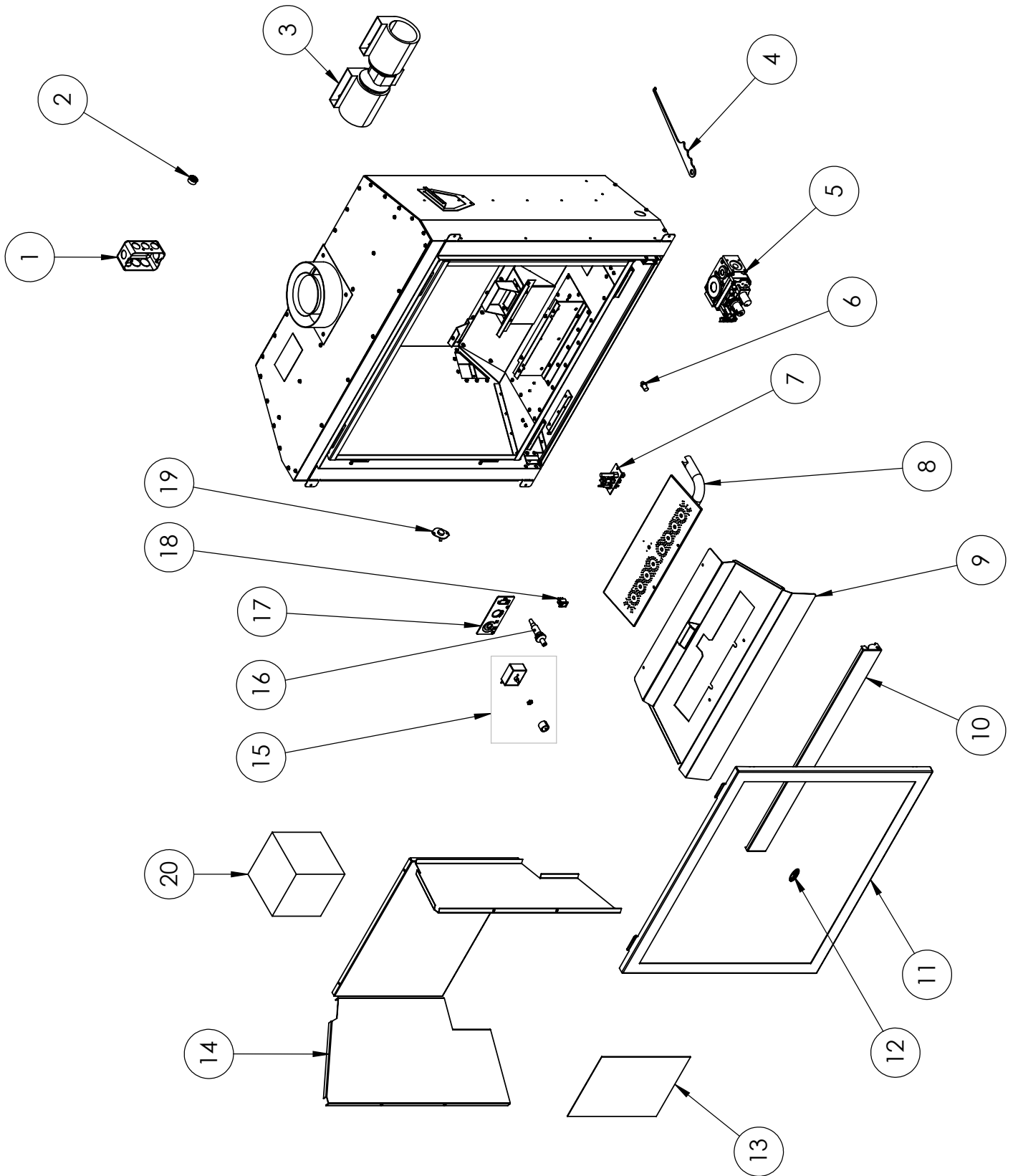
Problem	Possible Cause	Solution
The main burner does not ignite when called for.	The gas valve may not be on.	<ul style="list-style-type: none"> <li>• Check that the gas control knob is in the "ON" position.</li> </ul>
	Thermostat is not calling for heat.	<ul style="list-style-type: none"> <li>• Adjust the thermostat several degrees above ambient temperature.</li> </ul>
	Problem with gas valve.	<ul style="list-style-type: none"> <li>• Use a DC voltmeter to measure the voltage across the TPTH and TP terminals. Main operator voltage: Open circuit <math>\geq 325\text{mV}</math> Closed circuit <math>\geq 100\text{mV}</math></li> <li>• If voltage is not present, check the control circuit for proper operation.</li> <li>• If proper control system voltage is present, replace the gas control.</li> </ul>
Spark will not light the pilot after repeatedly pressing the spark ignitor.	Defective piezo ignitor.	<ul style="list-style-type: none"> <li>• Check connections to ignitor.</li> <li>• If ignitor connections are good but no spark, replace ignitor.</li> </ul>
	Broken spark electrode.	<ul style="list-style-type: none"> <li>• Check for broken ceramic insulation, replace electrode if broken.</li> </ul>
	Misaligned spark electrode.	<ul style="list-style-type: none"> <li>• If spark is not arcing from electrode to pilot, loosen the screws on the pilot base adjust and tighten.</li> </ul>
Pilot will not remain lit.	Problem with thermocouple circuit.	<ul style="list-style-type: none"> <li>• Check for proper connection of the thermocouple to the rear of the valve. If loose, fully tighten.</li> <li>• Check pilot for full flame impingement around thermocouple. If flame is too small, check gas pressure, adjust pilot rate screw, check pilot head for damage.</li> <li>• Check thermocouple voltage at valve. It must be greater than 5 mV. If low, replace thermocouple.</li> </ul>
	Air in gas line (pilot dies while knob is depressed).	<ul style="list-style-type: none"> <li>• Bleed line.</li> <li>• Check gas line pressure.</li> <li>• Contact dealer.</li> </ul>
Burners will not remain lit.	Problem with thermopile circuit.	<ul style="list-style-type: none"> <li>• Check gas line pressure .</li> <li>• Check for flame impingement on thermopile. If low, see "Pilot will not remain lit".</li> <li>• Check thermopile for minimum of 300 mV when burner is switched on.</li> <li>• Check wiring to thermostat for breaks.</li> </ul>
Flame lifting	Leak in vent pipe	<ul style="list-style-type: none"> <li>• Check for leaks in vent connections.</li> </ul>
	Improper vent configuration	<ul style="list-style-type: none"> <li>• Check vent configuration with manual.</li> </ul>
	Terminal may be recirculating flue gases	<ul style="list-style-type: none"> <li>• Check to see if terminal is on correctly.</li> <li>• May need to install high wind termination cap.</li> <li>• Contact dealer.</li> </ul>
Glass fogs up	Normal Condition: after the appliance warms up the glass will clear. **Due to additives in gas, glass may get hazy during operation** Clean as needed.	
Blue Flames	Normal during start up: flames will yellow as the fireplace heats up.	
Flames are burning "dirty" or sooting	Flame impingement	<ul style="list-style-type: none"> <li>• Check log positioning.</li> <li>• Increase primary air by opening the venturi shutter and/ or by opening the vent restrictor.</li> </ul> See also "Burners will not remain lit."
Remote control doesn't work	Problem with the remote	<ul style="list-style-type: none"> <li>• One or more of the batteries are dead. See remote control instructions.</li> </ul>
	Problem with fireplace	<ul style="list-style-type: none"> <li>• The on/off switch is turned to OFF.</li> <li>• The gas control valve is turned to PILOT or OFF.</li> <li>• The pilot has gone out.</li> </ul>
Flame turbulence around the pilot scoop	Some vent configurations create irregular drafts	<ul style="list-style-type: none"> <li>• Check that the fiberglass seal under the enameled tray is intact and in position. The seal restricts air flow coming between the pilot shield and the enameled pilot scoop.</li> </ul>

# Parts List

**Table 11: Q2G Parts List**

<b>Reference Number</b>	<b>Part Description</b>	<b>Part Number</b>
1	Electrical Box	50-3018
2	Electrical Box Strain Relief	50-3019
3	Convection Fan	50-2493
4	Door Release Tool	50-2510
5	S.I.T. Nova Valve - Convertible	50-1421
6	Gas Orifice [#40 NG, #55 LP]	50-343
7	S.I.T. Pilot Assembly - Standing Pilot	EC-015
8	Q2G Burner Pan	50-3046
9	Q2G Enameled Glass Tray	50-3047
10	Control Cover w/ Decal	50-3098
11	Q2G Complete Door	50-3049
12	Enviro Gel Decal	50-322
13	Q2G Owner's Manual	50-3053
14	Black Enameled Steel Liner Set (3 Pieces)	50-2978
15	FPI Fan Controller (69.5V) 115V W/FS Knob	EC-039A
16	S.I.T. Piezo Ignitor	EC-023
17	Control Panel w/ Decal	50-2989
18	FPI Burner Switch	EC-026
19	120 Degree Fan Temperature Sensor	EC-001
20	Glass Media (4 lbs)	50-2937
21	Safety Screen	50-3051
-	Driftwood Log Set	50-3314
-	12 oz. Can of Metallic Black Touch Up Paint	PAINT-12-MB
-	12 oz. Can of Flat Black Touch Up Paint	PAINT-12-FB
-	Q2 Conversion Kit LP to NG (For 820 Valve)	50-3034
-	Q2 Conversion Kit NG to LP (For 820 Valve)	50-3035
-	Door Glass w/ Gasket (28.5 x 23.8in)	50-3031
-	Q2 Framing Plate	50-3143

# Parts Diagram



# Notes

---



# Notes

---



# Warranty for Enviro Gas Products

Sherwood Industries Ltd. ("Sherwood") hereby warrants, subject to the terms and conditions herein set forth, this product against defects in material and workmanship during the specified warranty period starting from the date of original purchase at retail. In the event of a defect of material or workmanship during the specified warranty period, Sherwood reserves the right to make repairs or to assess the replacement of a defective product at Sherwood's factory. The shipping costs are to be paid by the consumer. All warranties by Sherwood are set forth herein and no claim shall be made against Sherwood on any oral warranty or representation.

## Conditions

- A completed warranty registration must be submitted to Sherwood within 90 days of original purchase via the online warranty registration page or via the mail-in warranty registration card provided. Have the installer fill in the installation data sheet in the back of the manual for warranty and future reference.
- This warranty applies only to the original owner in the original location from date of install.
- The unit must have been properly installed by a qualified technician or installer, and must meet all local and national building code requirements.
- The warranty does not cover removal and re-installation costs.
- Sherwood Industries Ltd. reserves the right to make changes without notice.
- Sherwood Industries Ltd. and its employees or representatives will not assume any damages, either directly or indirectly caused by improper usage, operation, installation, servicing or maintenance of this appliance.
- A proof of original purchase must be provided by you or the dealer including serial number.
- This warranty does not cover any discoloration of the safety screen mesh.

## Exclusions

An expanded list of exclusions is available at [www.enviro.com/help/warranty.html](http://www.enviro.com/help/warranty.html)

This warranty does not cover:

- Damage as a result of improper usage or abuse.
- Damage caused from over-firing due to incorrect setup or tampering.
- Damage caused by incorrect installation.

## To the Dealer

- Provide name, address and telephone number of purchaser and date of purchase.
- Provide date of purchase. Name of installer and dealer. Serial number of the appliance. Nature of complaint, defects or malfunction, description and part # of any parts replaced.
- Pictures or return of damaged or defective product may be required.

## To the Distributor

- Sign and verify that work and information are correct.

### Sherwood Industries Ltd.

6782 Oldfield Road, Victoria, BC . Canada V8M 2A3  
 Online warranty registration: [www.enviro.com/warranty/](http://www.enviro.com/warranty/)

Category	One Year	Two Year	Limited Lifetime (7yr)
Parts <sup>1,2</sup> (unit serial number required)		✓	
Firebox Liner Panels <sup>3</sup>		✓	
Firebox			✓
Heat Exchanger			✓
Burner			✓
Ceramic Logs <sup>4</sup>			✓
Ceramic Glass <sup>5</sup>	✓		
Pedestal / Legs (excluding finish)			✓
Door Assembly			✓
Surround Panels (excluding finish)			✓
Exterior Panels (excluding finish)			Up to 5 years
Electrical Components		✓	
Exterior Surface Finishing	✓		
Labour	✓		

<sup>1</sup> Whereas warranty has expired, replacement parts will be warranted for 90 days from part purchase date. Labour not included. Unit serial number required.  
<sup>2</sup> 50-173 Westport Fan Kit covered for up to 5 years from purchase date. Labour not included. Unit serial required.  
<sup>3</sup> Excluding damage to the finish caused by improper setup of the appliance, or color changes.  
<sup>4</sup> Log set and panels excludes wear and tear or breakage caused by cleaning or service.  
<sup>4</sup> Glass is covered for thermal breakage. Photos of box, inside of door, and unit serial # must be supplied for breakage due to shipping.  
<sup>6</sup> Exterior Surface finishing covers plating, enamel or paint and excludes colour changes, chipping, and fingerprints. Travel costs not included.

# Installation Data Sheet

The following information must be recorded by the installer for warranty purposes and future reference.

NAME OF OWNER:  
\_\_\_\_\_  
  
ADDRESS:  
\_\_\_\_\_  
\_\_\_\_\_  
\_\_\_\_\_  
  
PHONE: \_\_\_\_\_

NAME OF DEALER:  
\_\_\_\_\_  
  
ADDRESS:  
\_\_\_\_\_  
\_\_\_\_\_  
\_\_\_\_\_  
  
PHONE: \_\_\_\_\_

MODEL: \_\_\_\_\_  
SERIAL NUMBER: \_\_\_\_\_  
DATE OF PURCHASE: \_\_\_\_\_ (dd/mm/yyyy)  
DATE OF INSTALLATION: \_\_\_\_\_ (dd/mm/yyyy)  
  
 NATURAL GAS (NAT)       PROPANE(LPG)  
  
INLET GAS PRESSURE: \_\_\_\_\_ in wc  
MAIN BURNER ORIFICE: \_\_\_\_\_ # DMS  
PILOT ORIFICE # \_\_\_\_\_ OR \_\_\_\_\_ in diam.  
INSTALLER'S SIGNATURE:  
\_\_\_\_\_

NAME OF INSTALLER:  
\_\_\_\_\_  
  
ADDRESS:  
\_\_\_\_\_  
\_\_\_\_\_  
\_\_\_\_\_  
  
PHONE: \_\_\_\_\_

MANUFACTURED BY:  
SHERWOOD INDUSTRIES LTD.  
6782 OLDFIELD RD. SAANICHTON, BC, CANADA V8M 2A3  
www.enviro.com  
August 2017  
C-14517